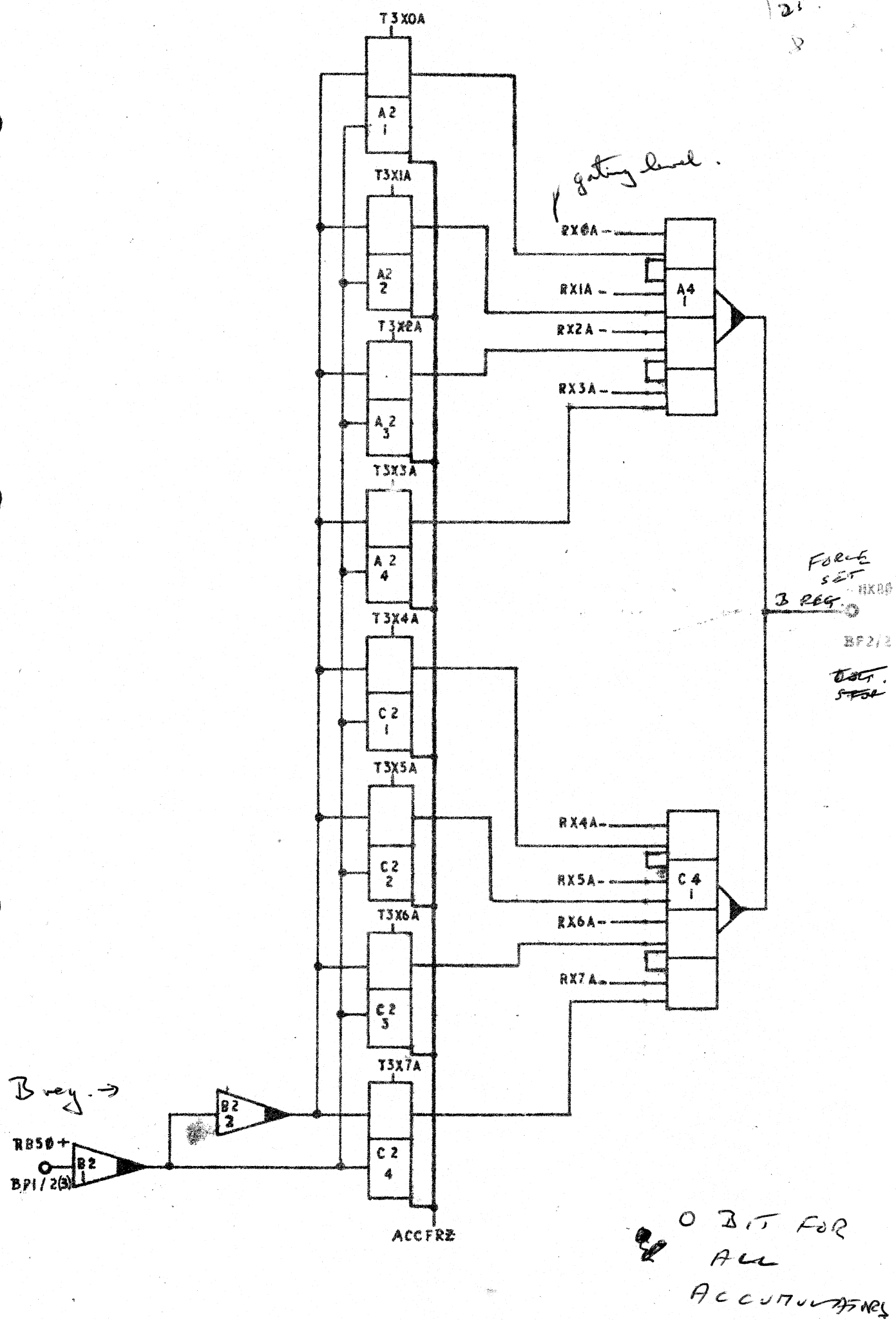


INDEX OF LOGICAL DRAWINGS FOR HARDWARE ACCUMULATOR

GROUP: WGC.03

WGC.03/SHEET	0
" "	1
" "	2
" "	3
" "	4
" "	5
" "	6
" "	7
" "	8
" "	9
" "	10
" "	11
" "	12
" "	13
" "	14
" "	15
" "	16
" "	17
" "	18
" "	19
" "	20
" "	21
" "	22
" "	23
" "	24
" "	25
" "	26
" "	27
" "	28

125  
8



Force set  
B REG.  
BF2/2  
B reg.

B reg. ->

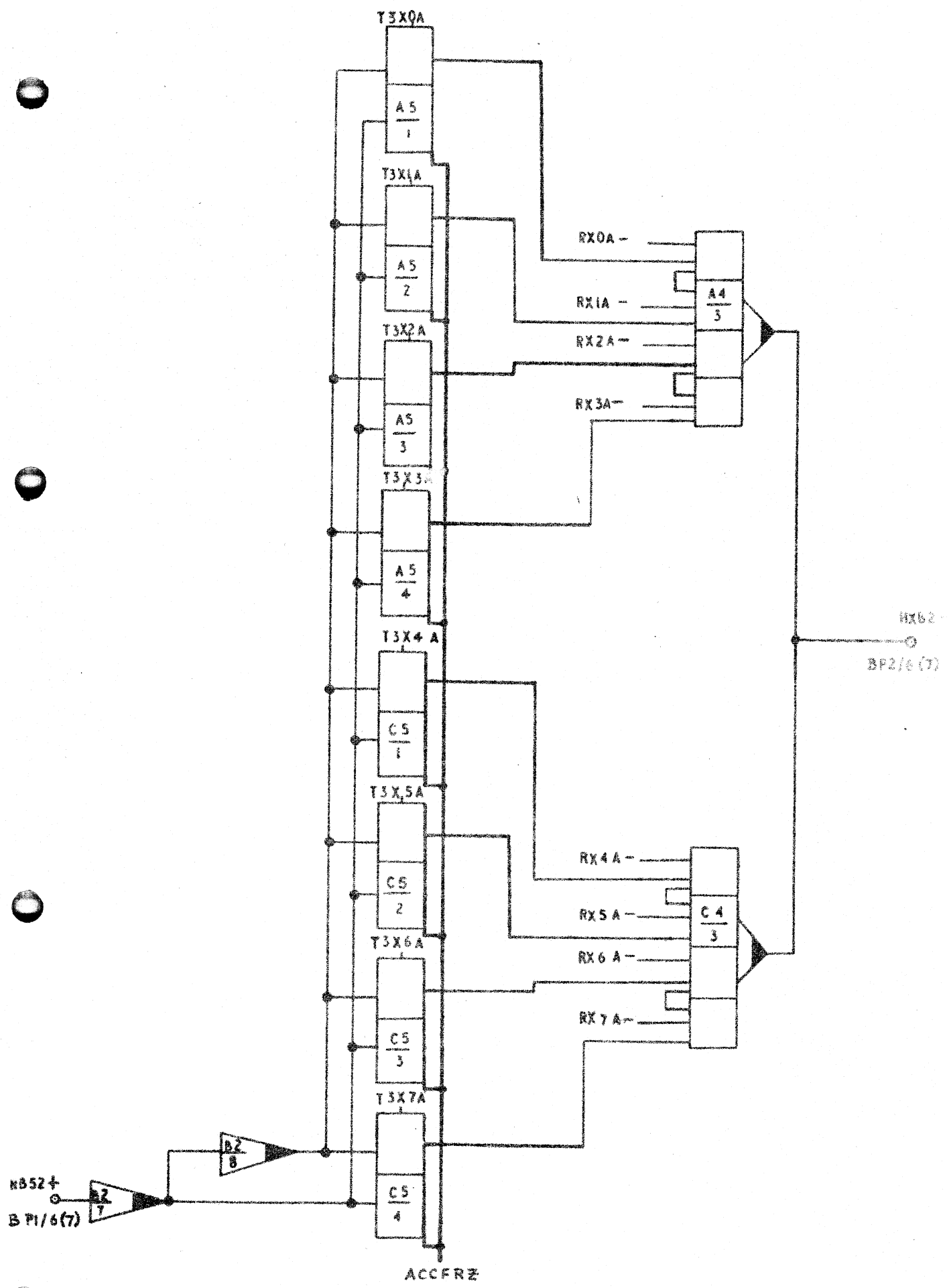
R850+  
BPI/2(B)

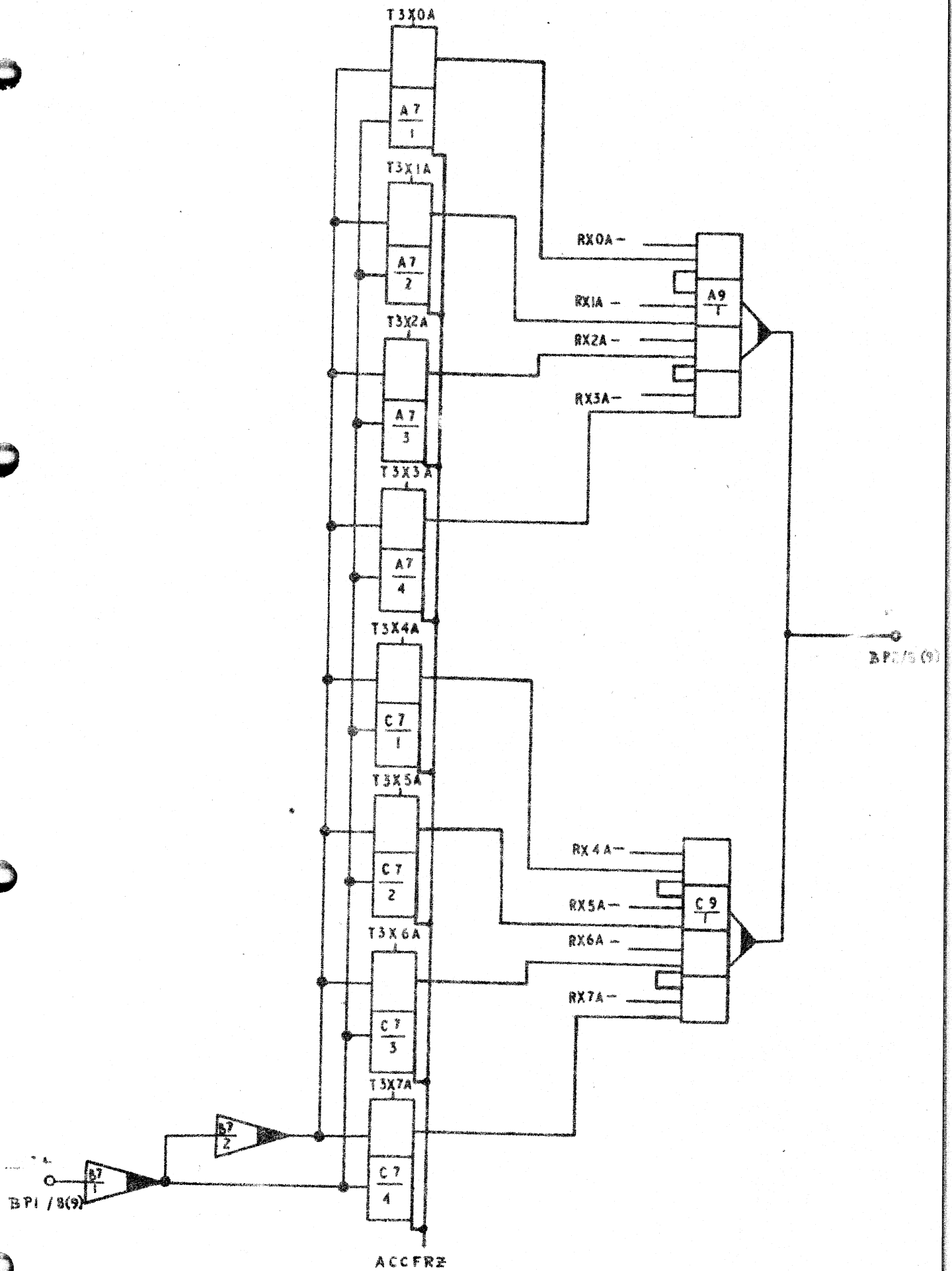
B2  
2

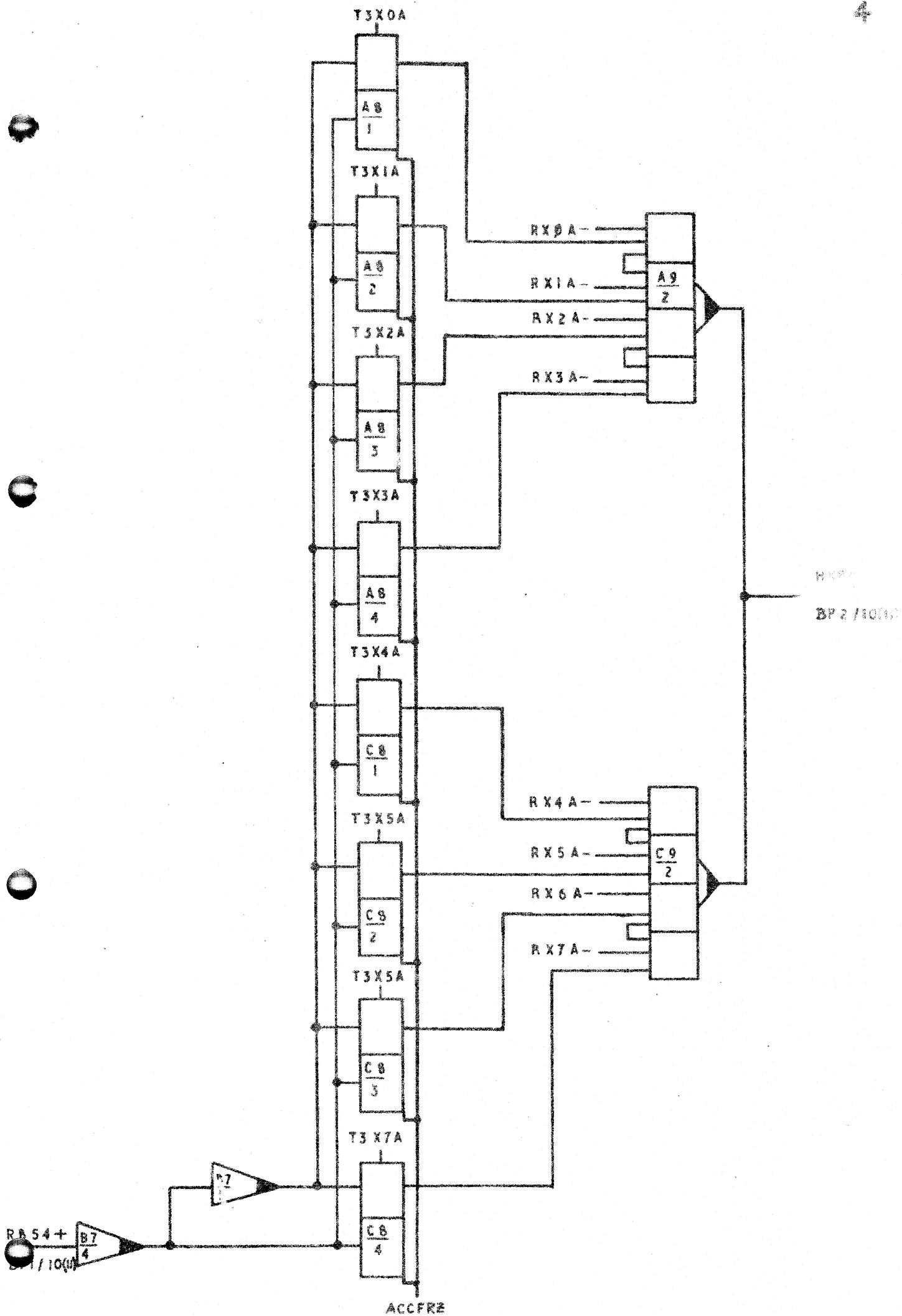
ACCFRZ

0 BIT FOR  
ALL  
ACCUMULATORS

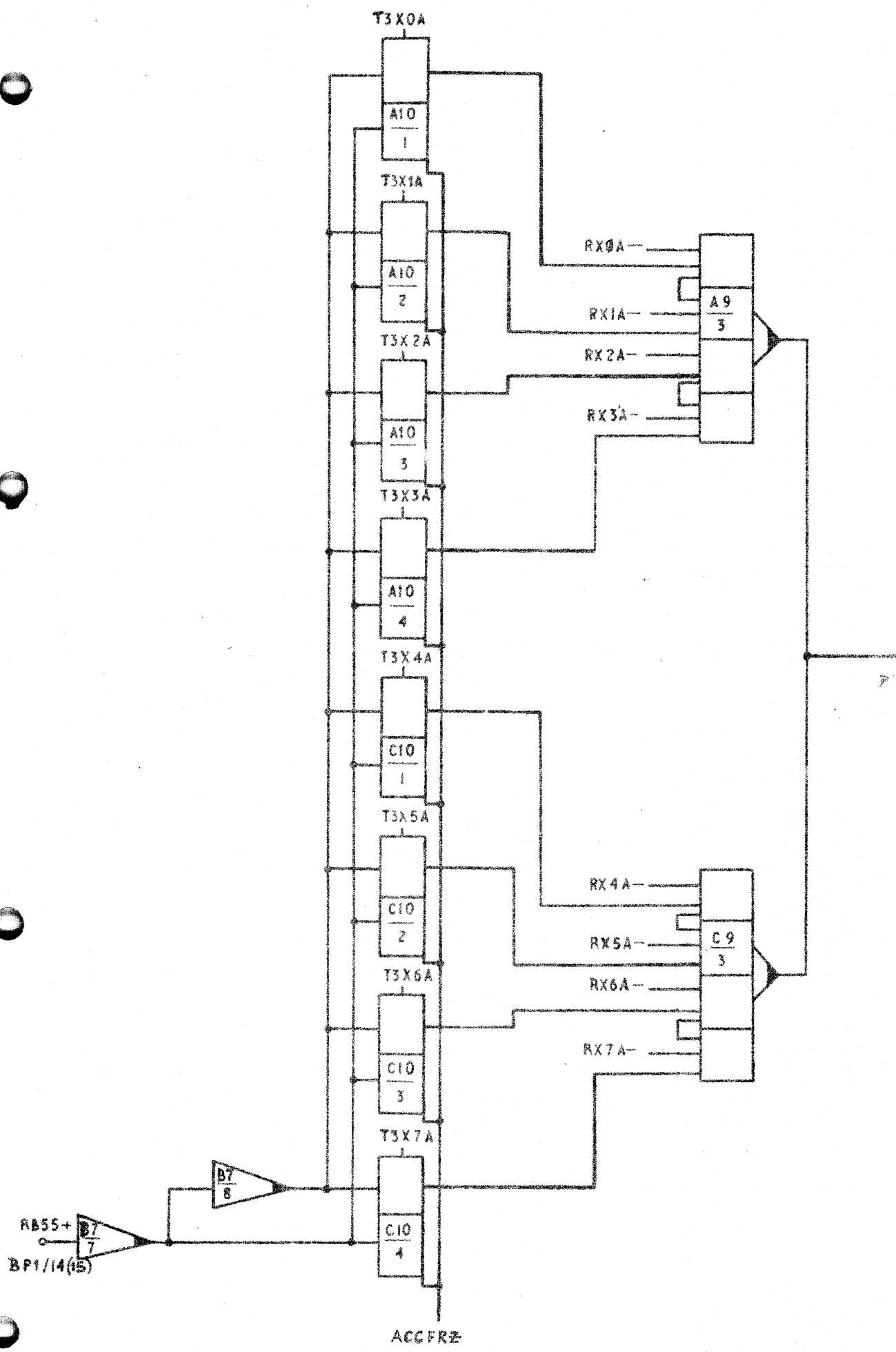


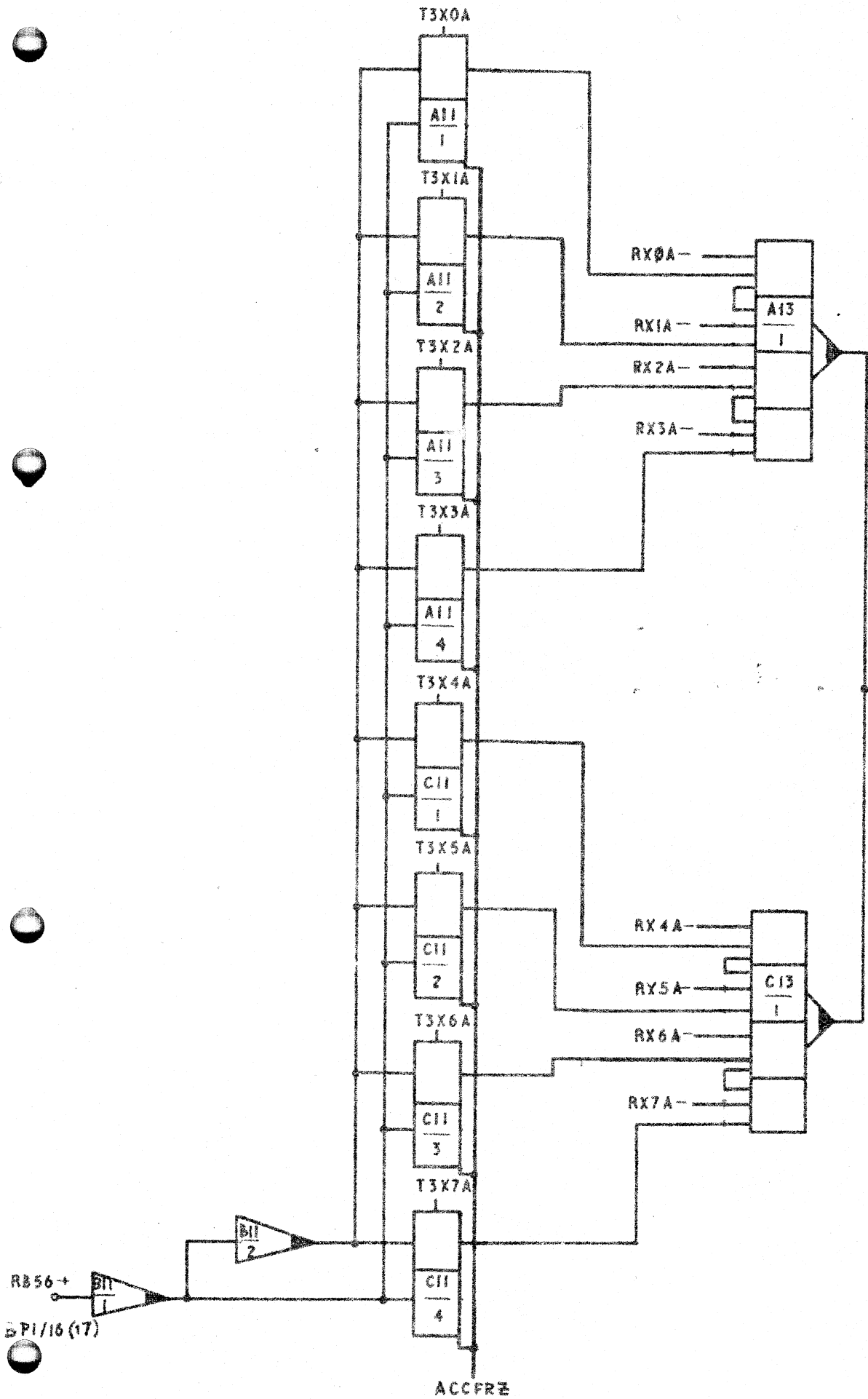




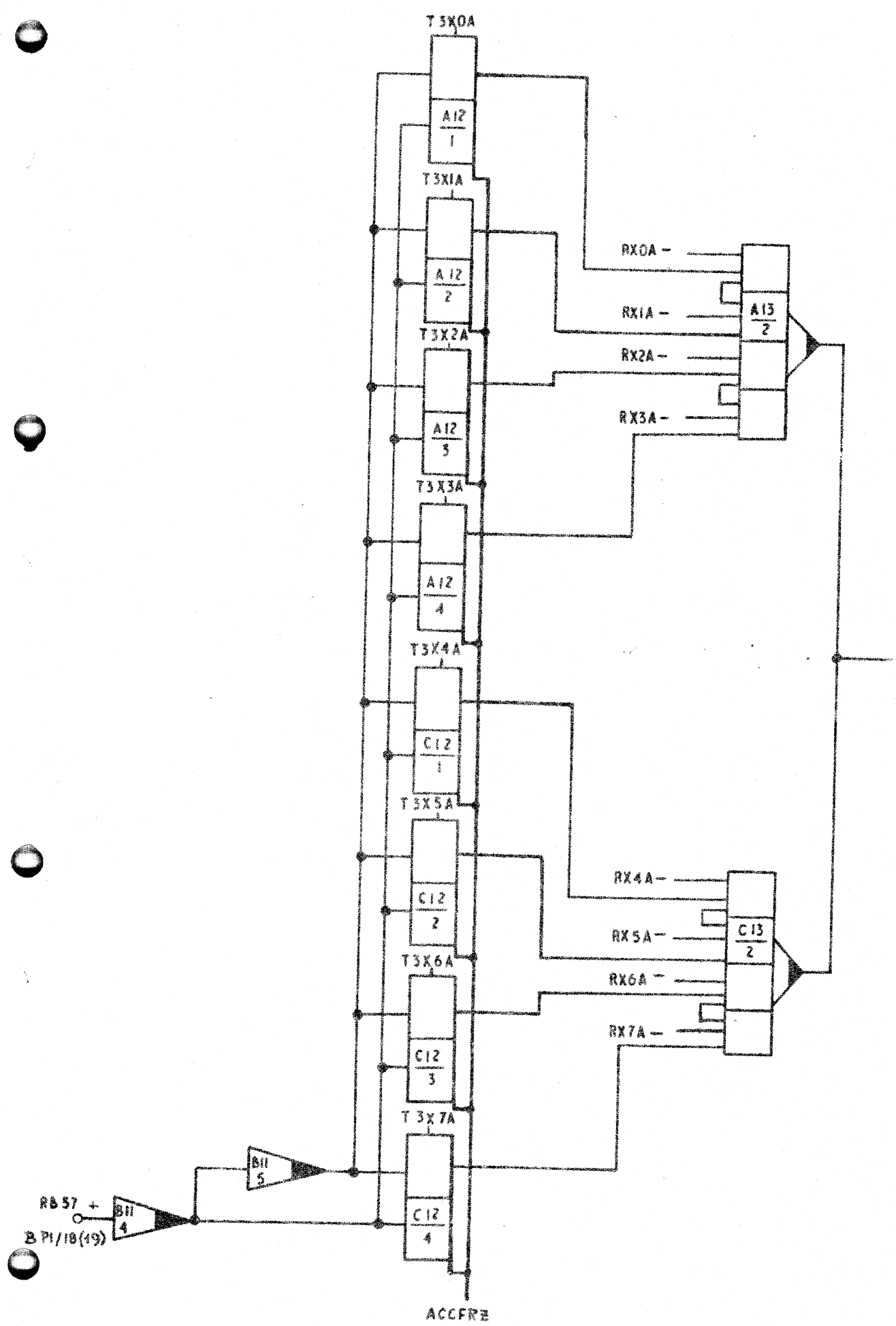


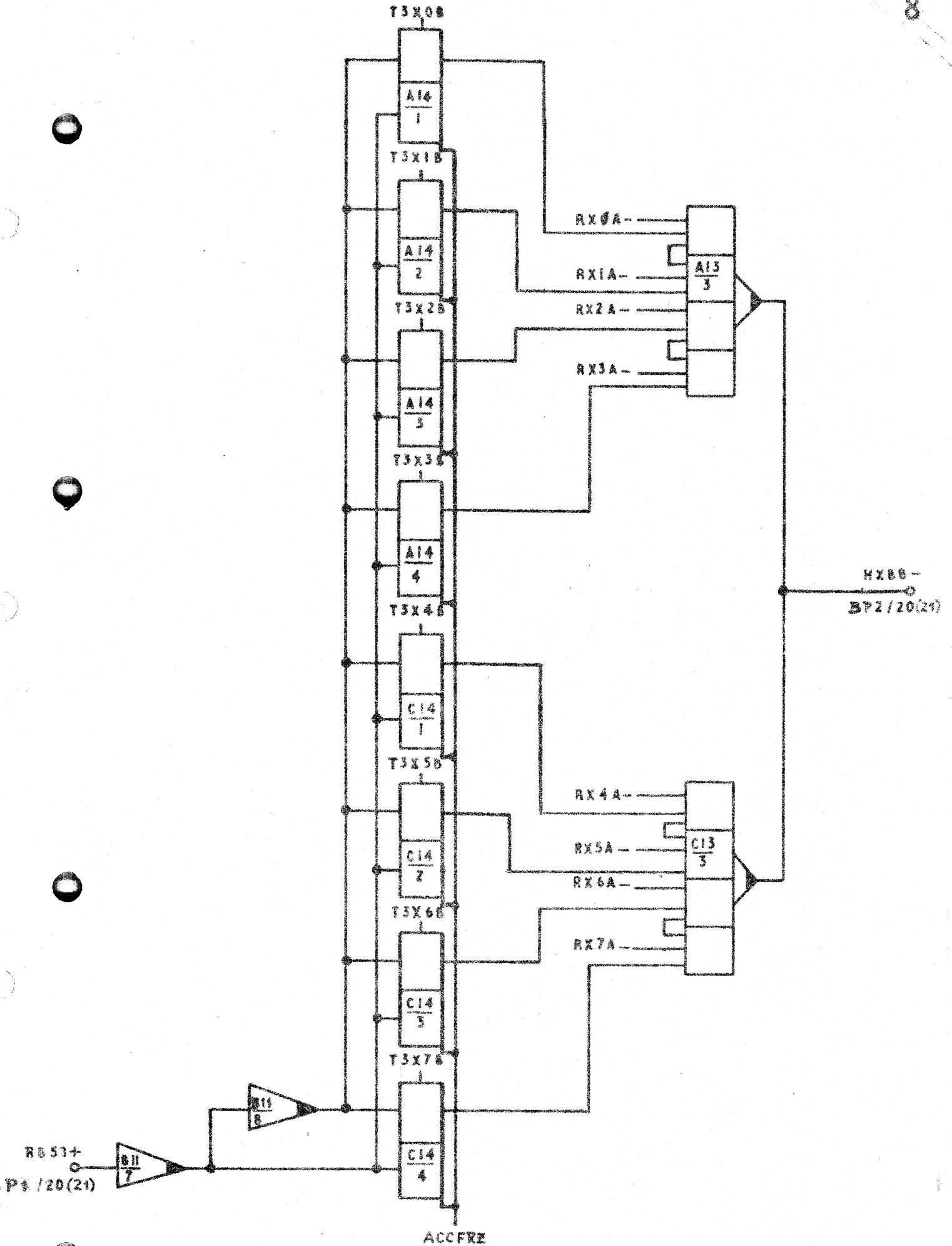
HARDWARE ACCUMULATOR

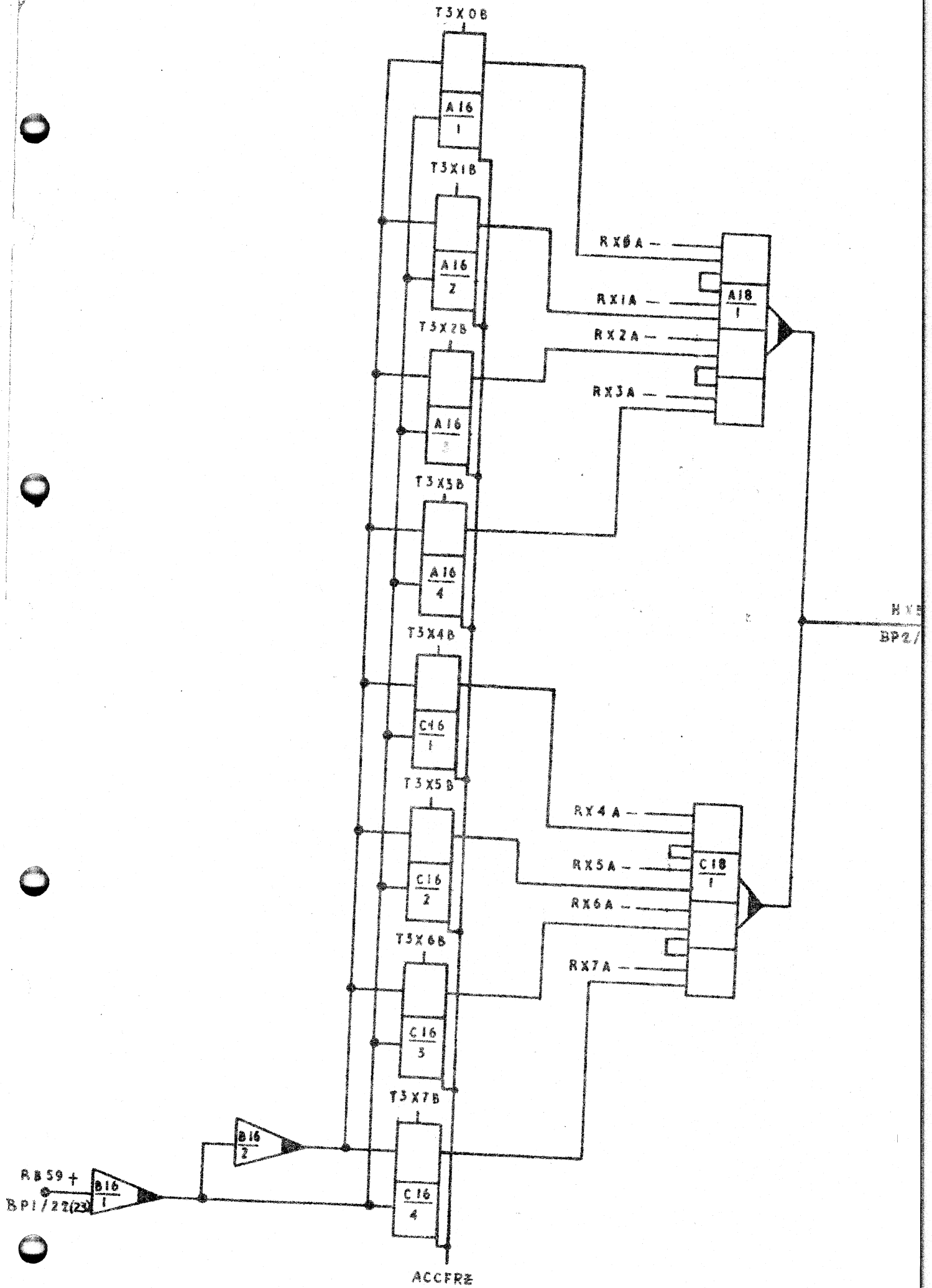


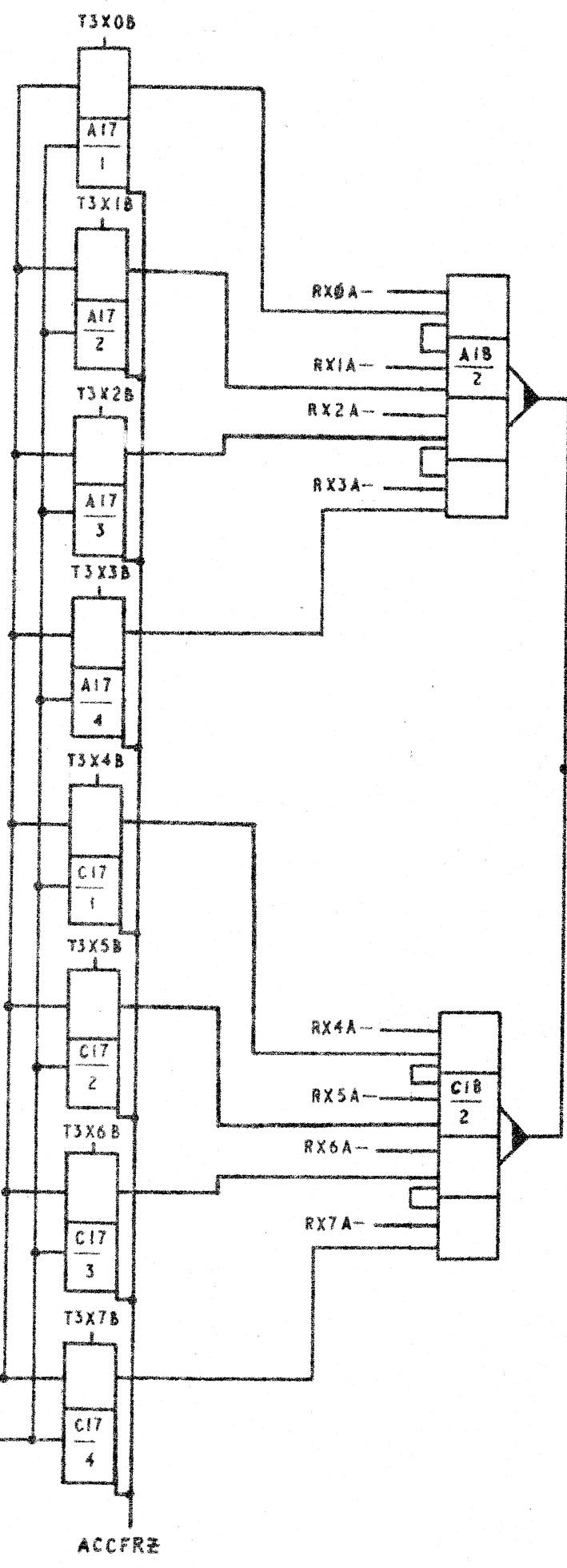


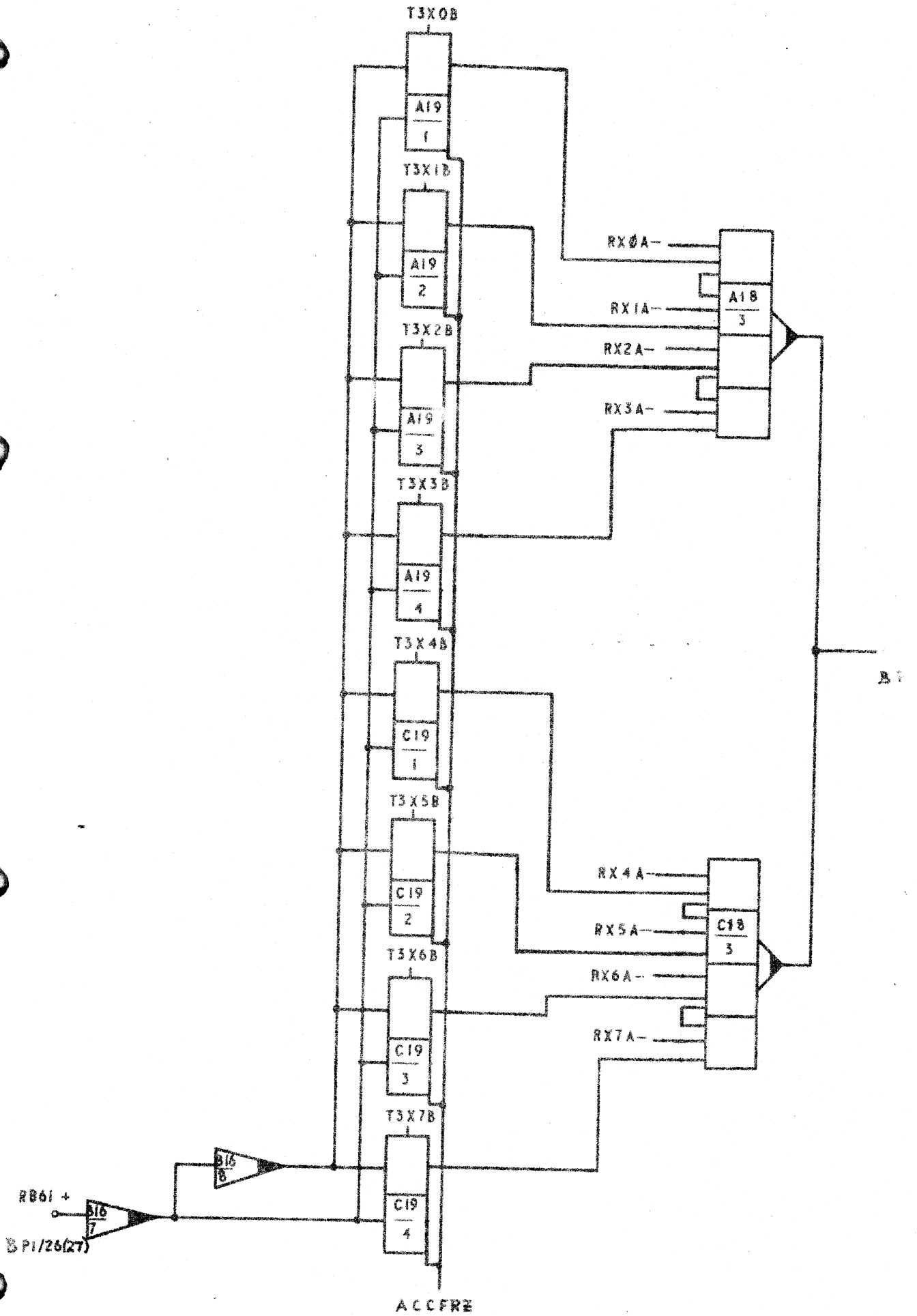


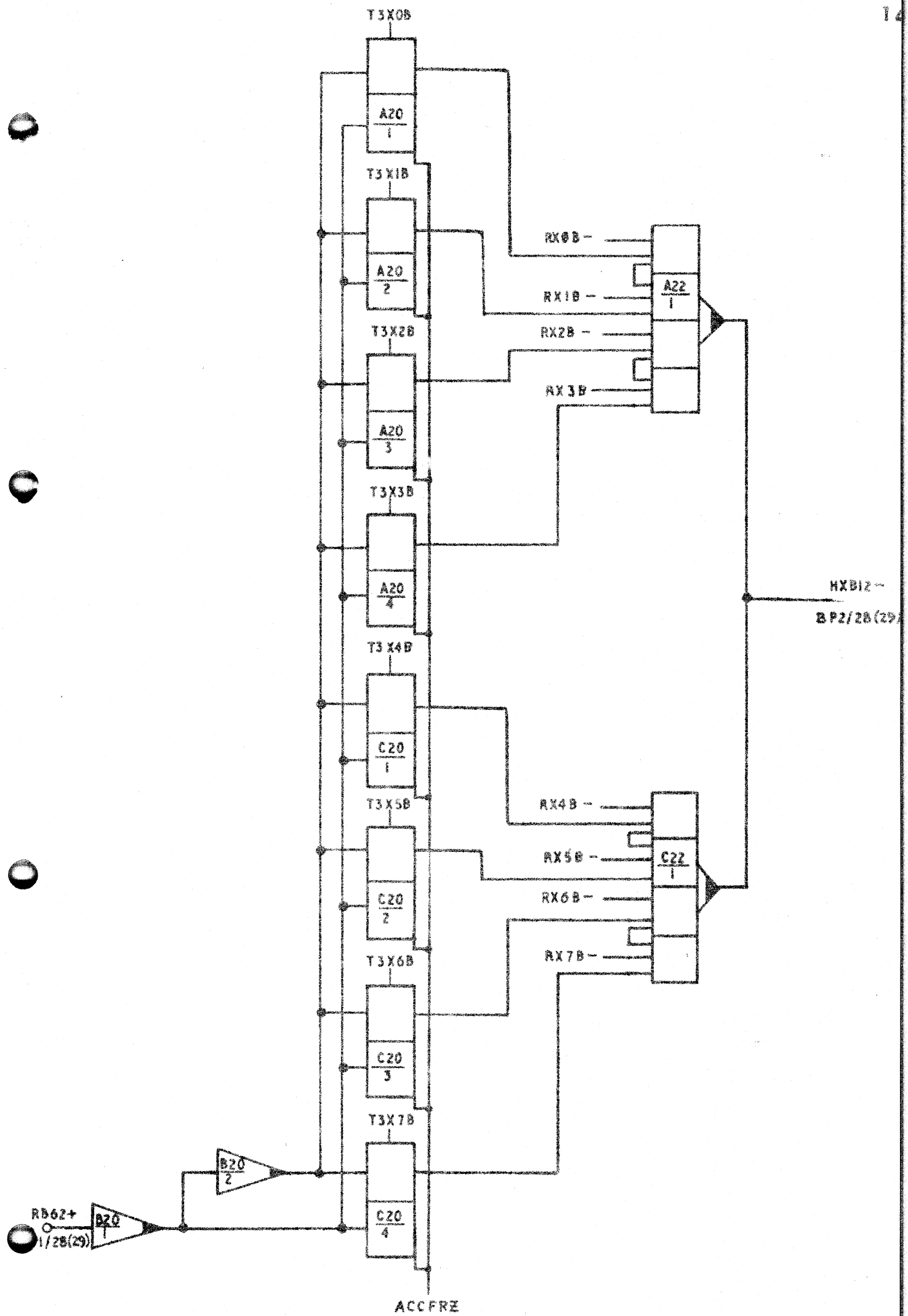


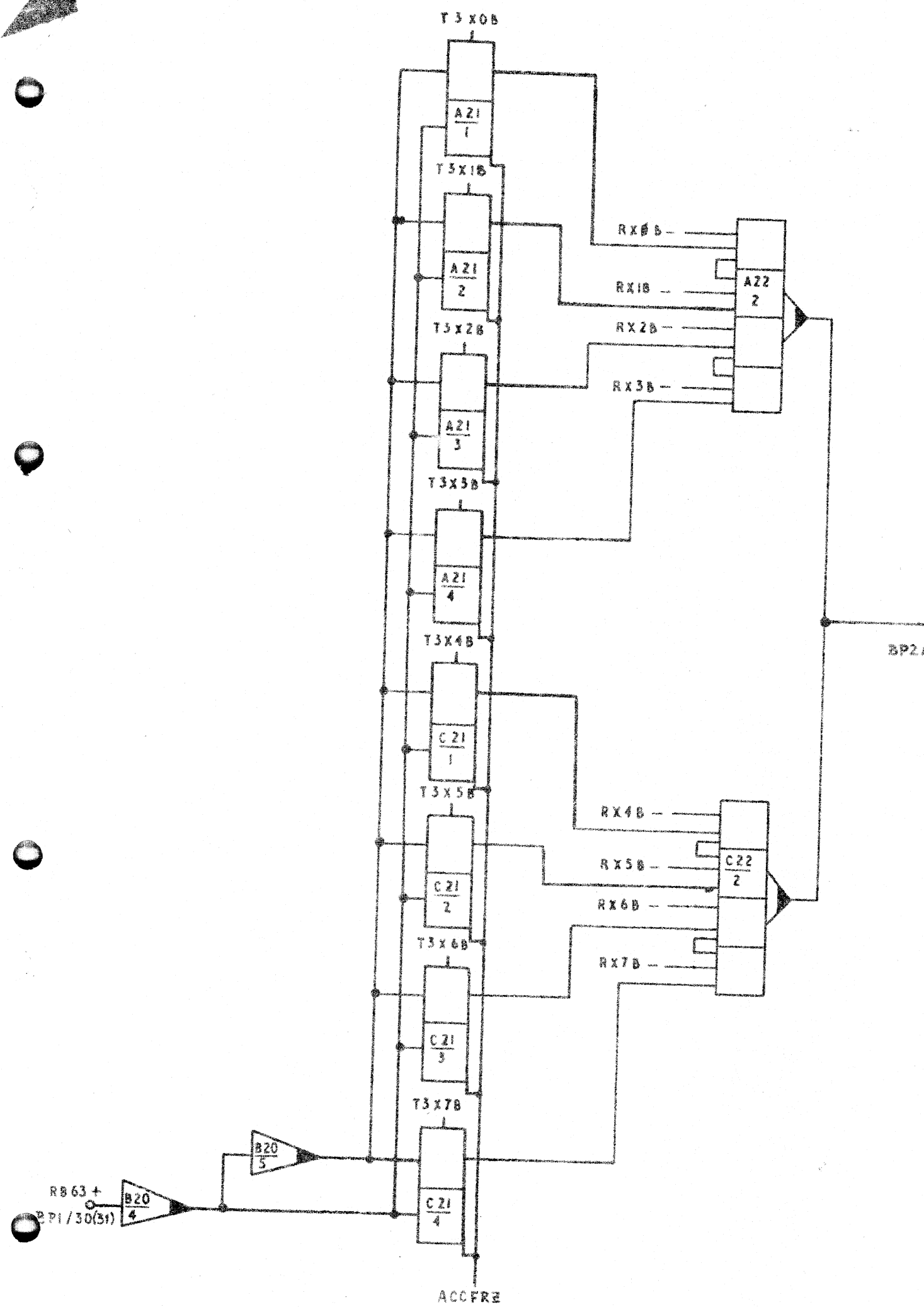






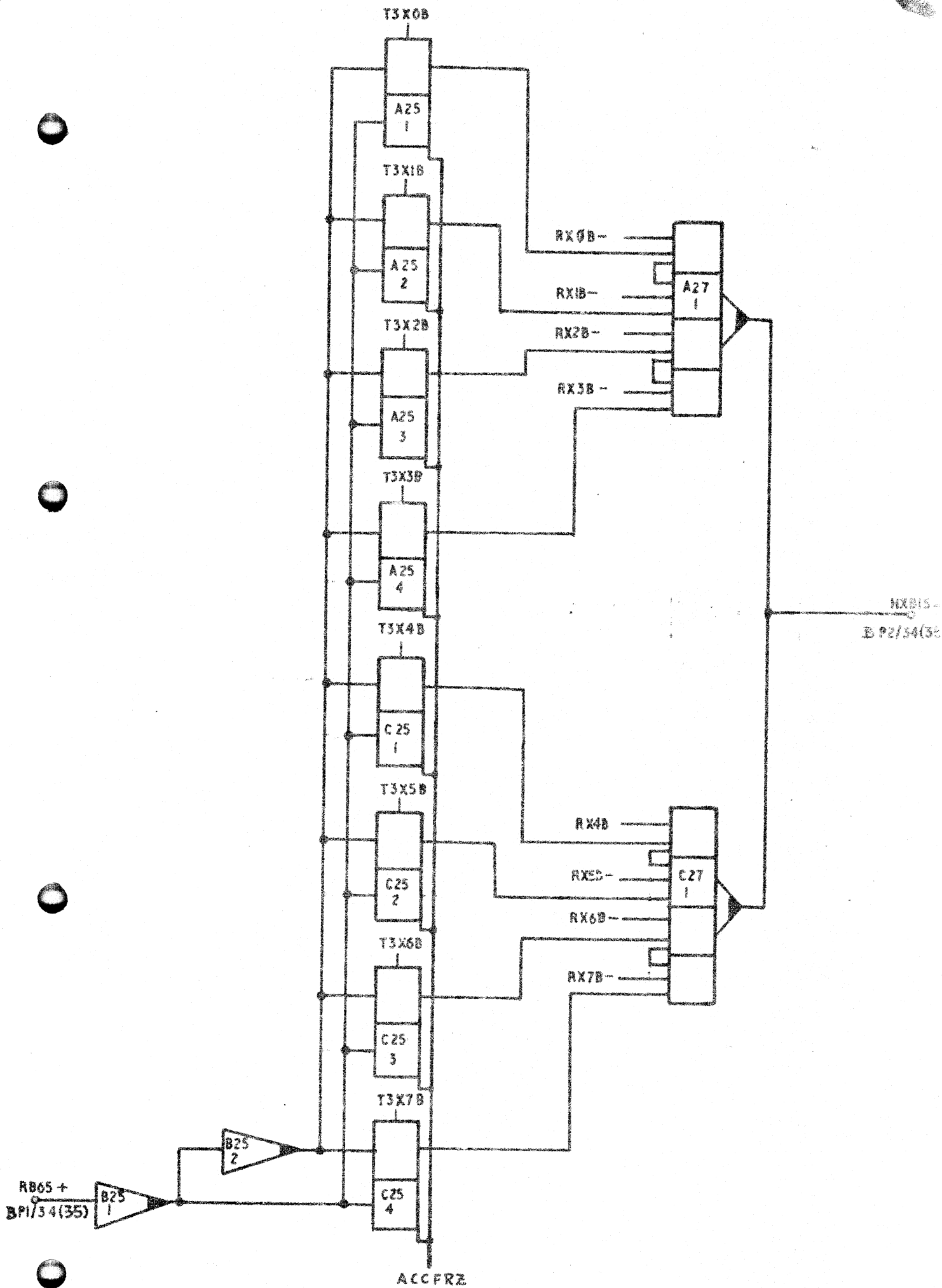


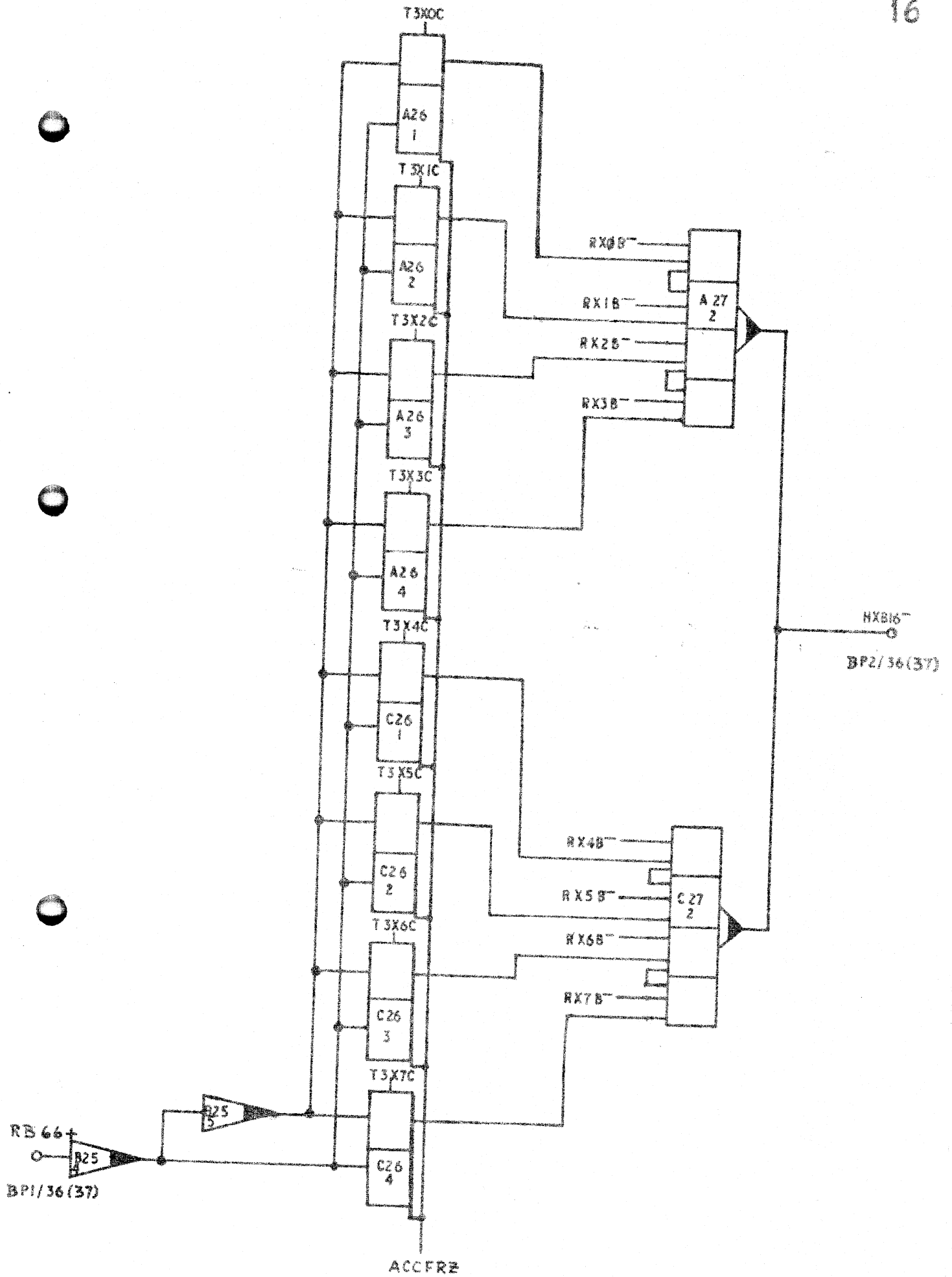


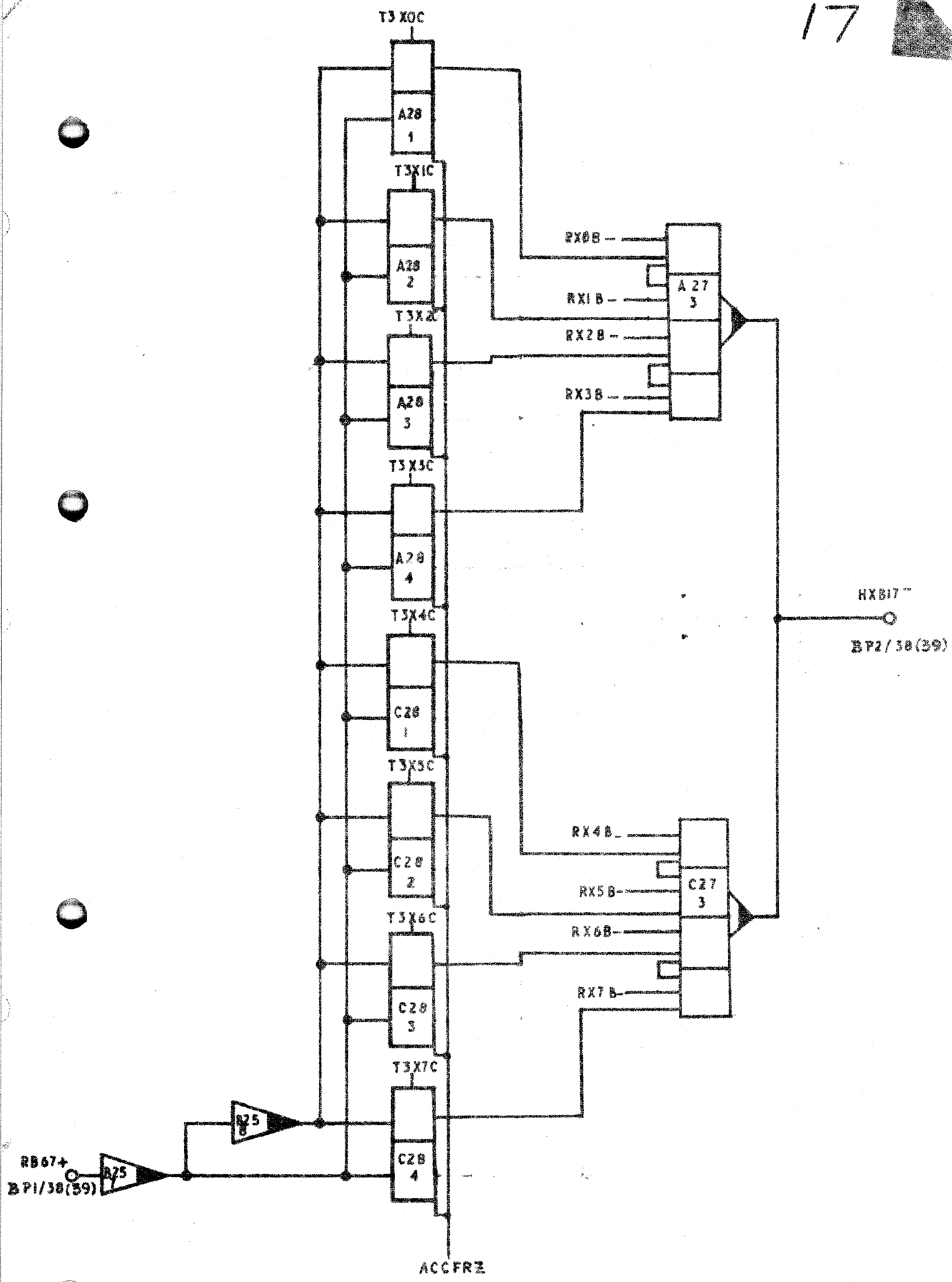


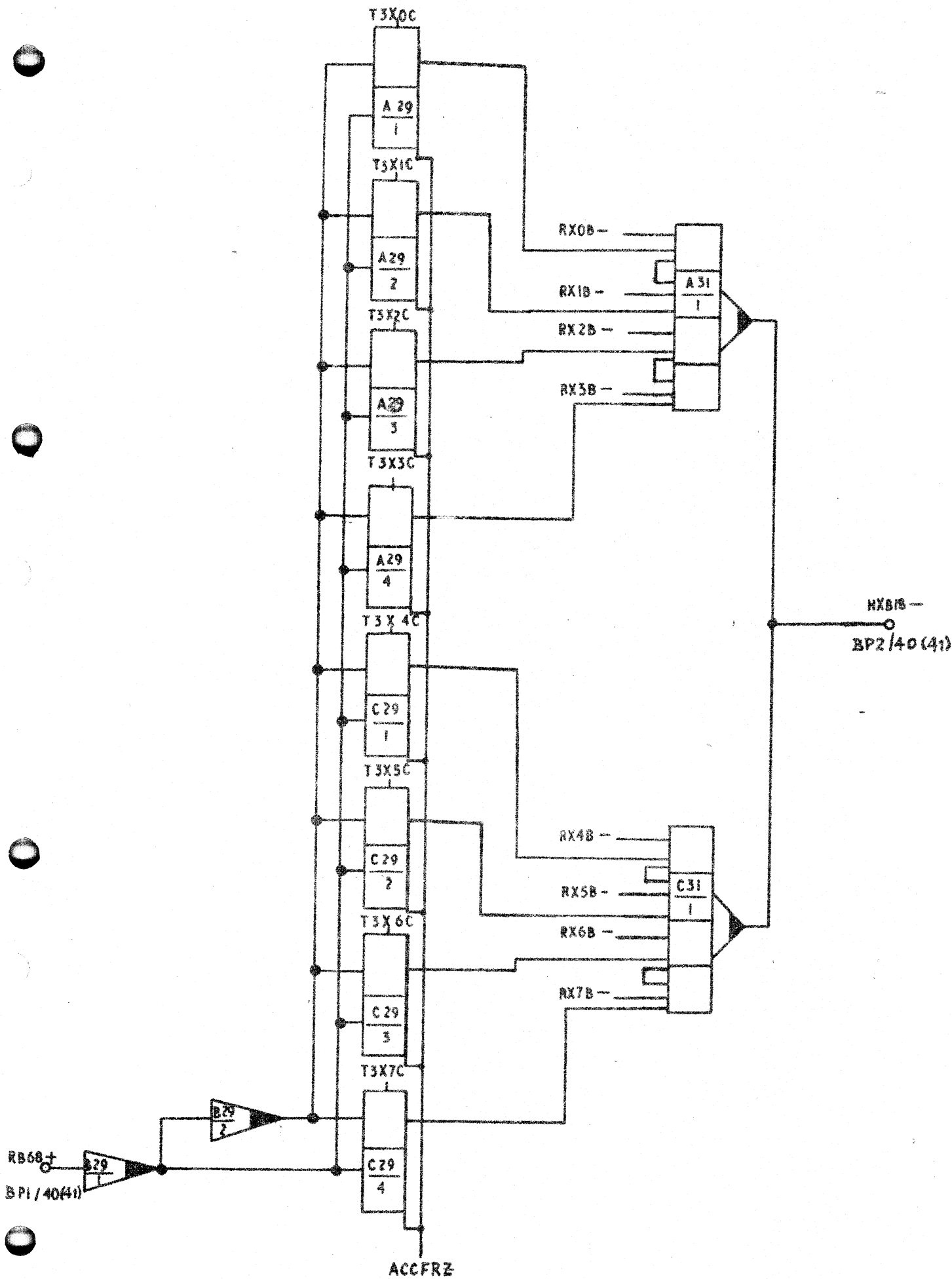


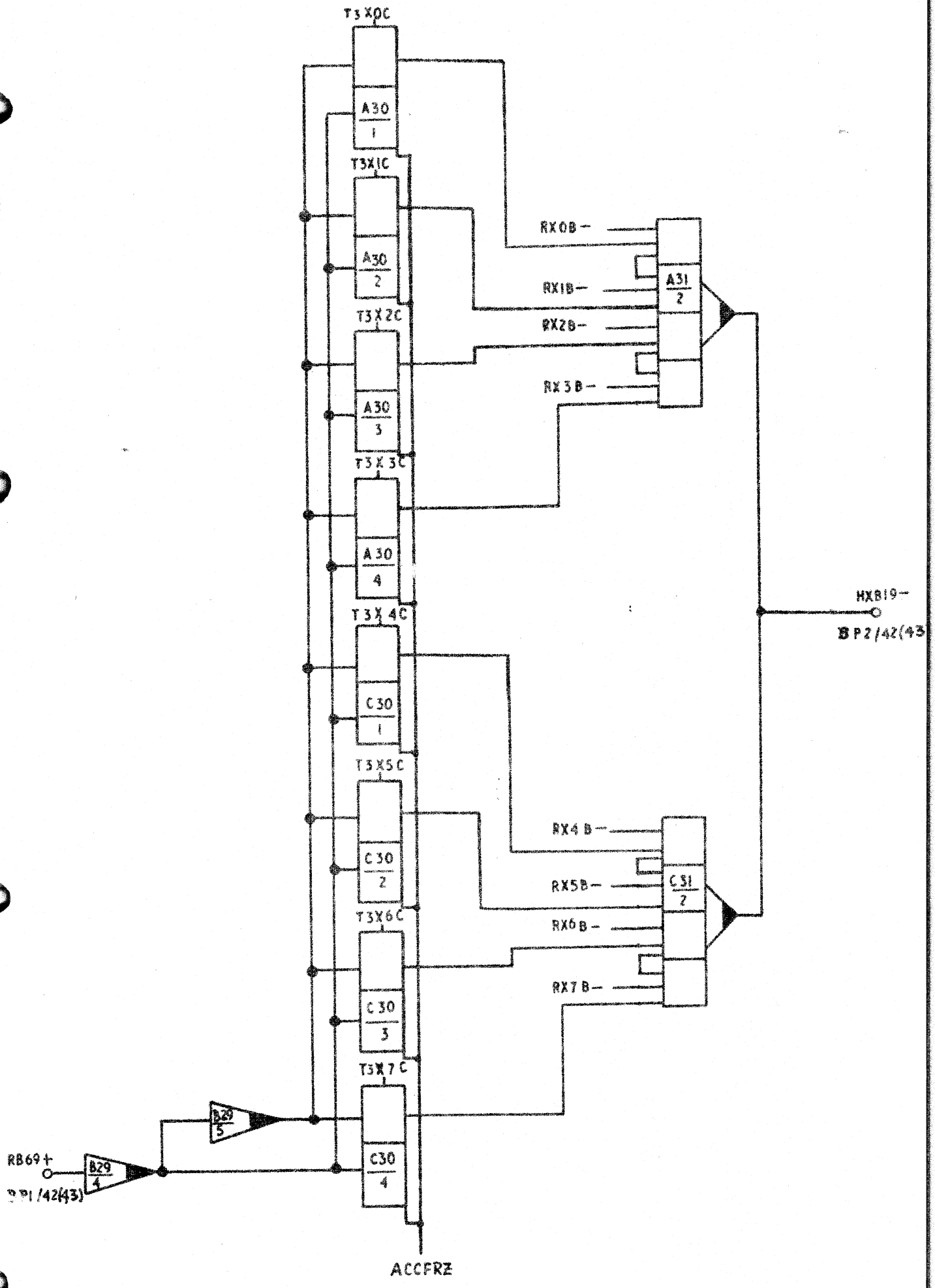


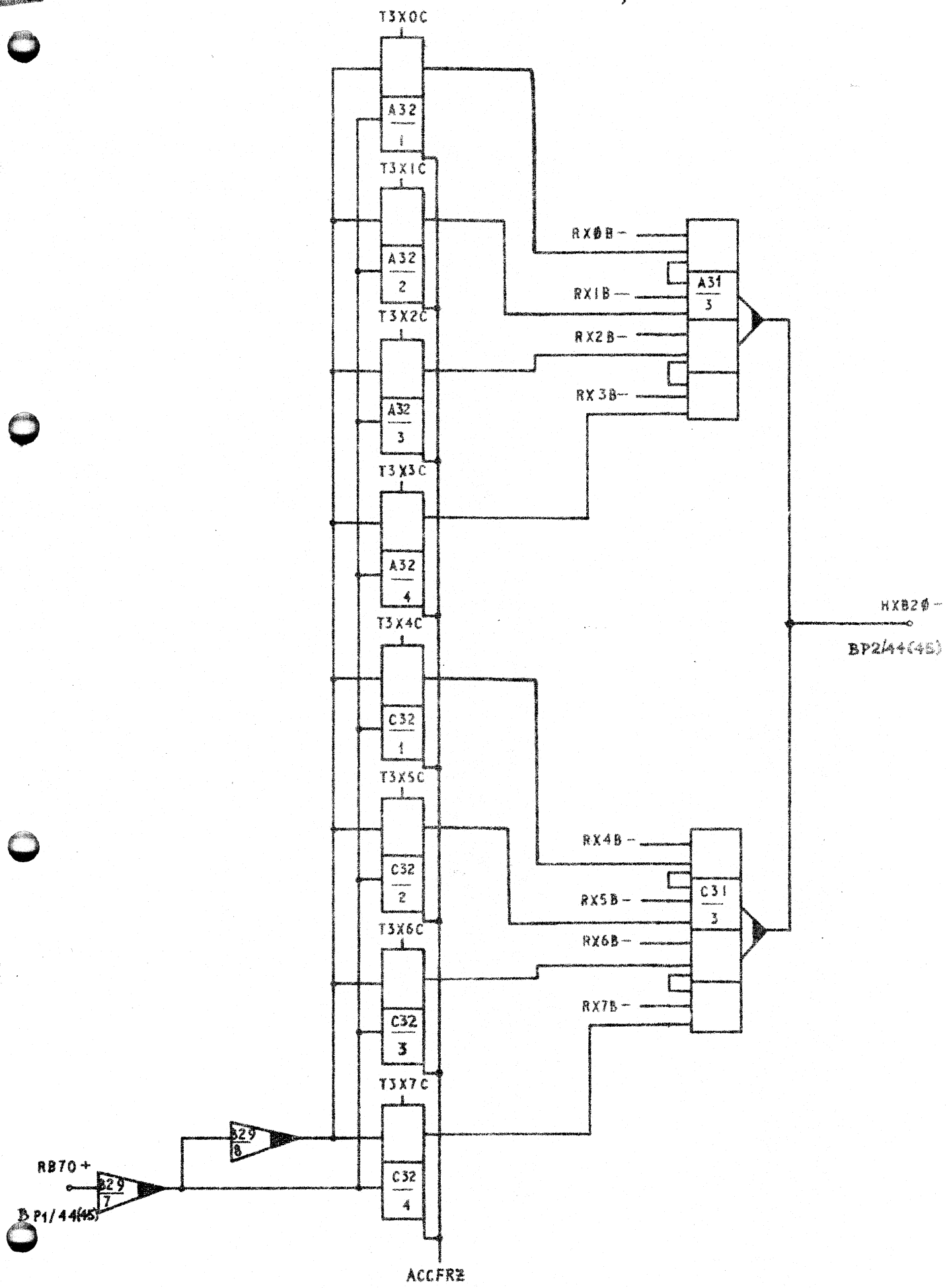


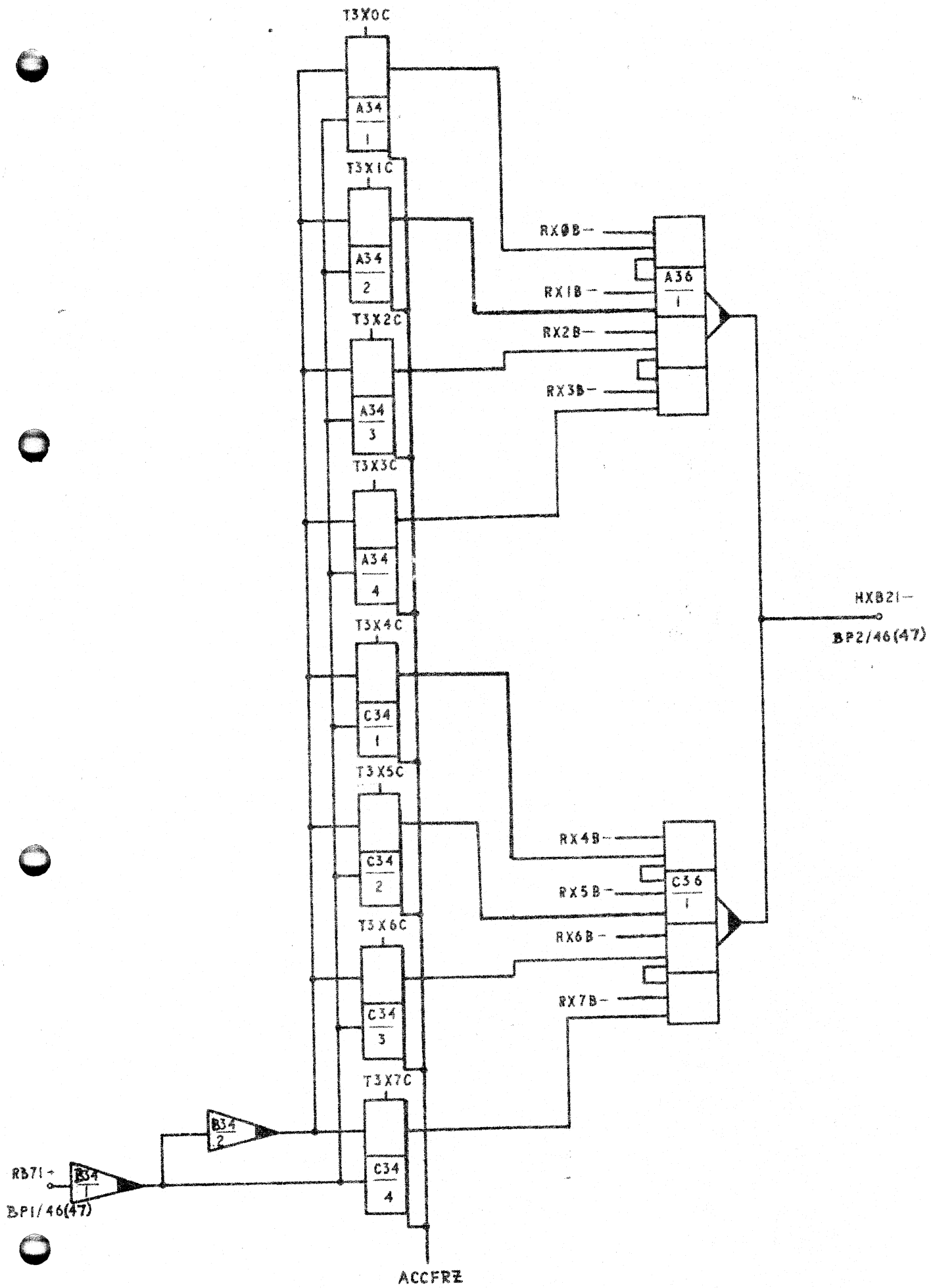


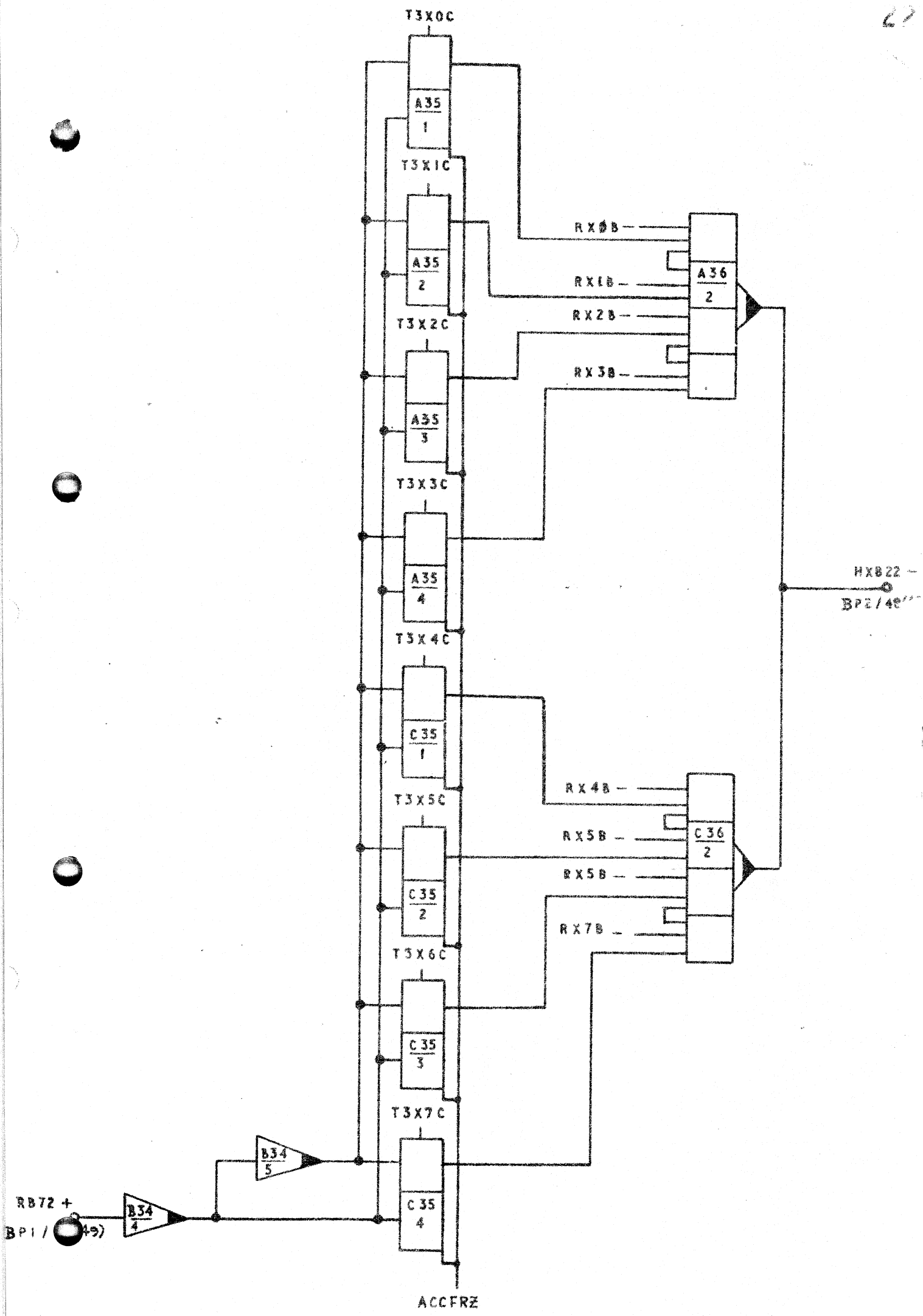






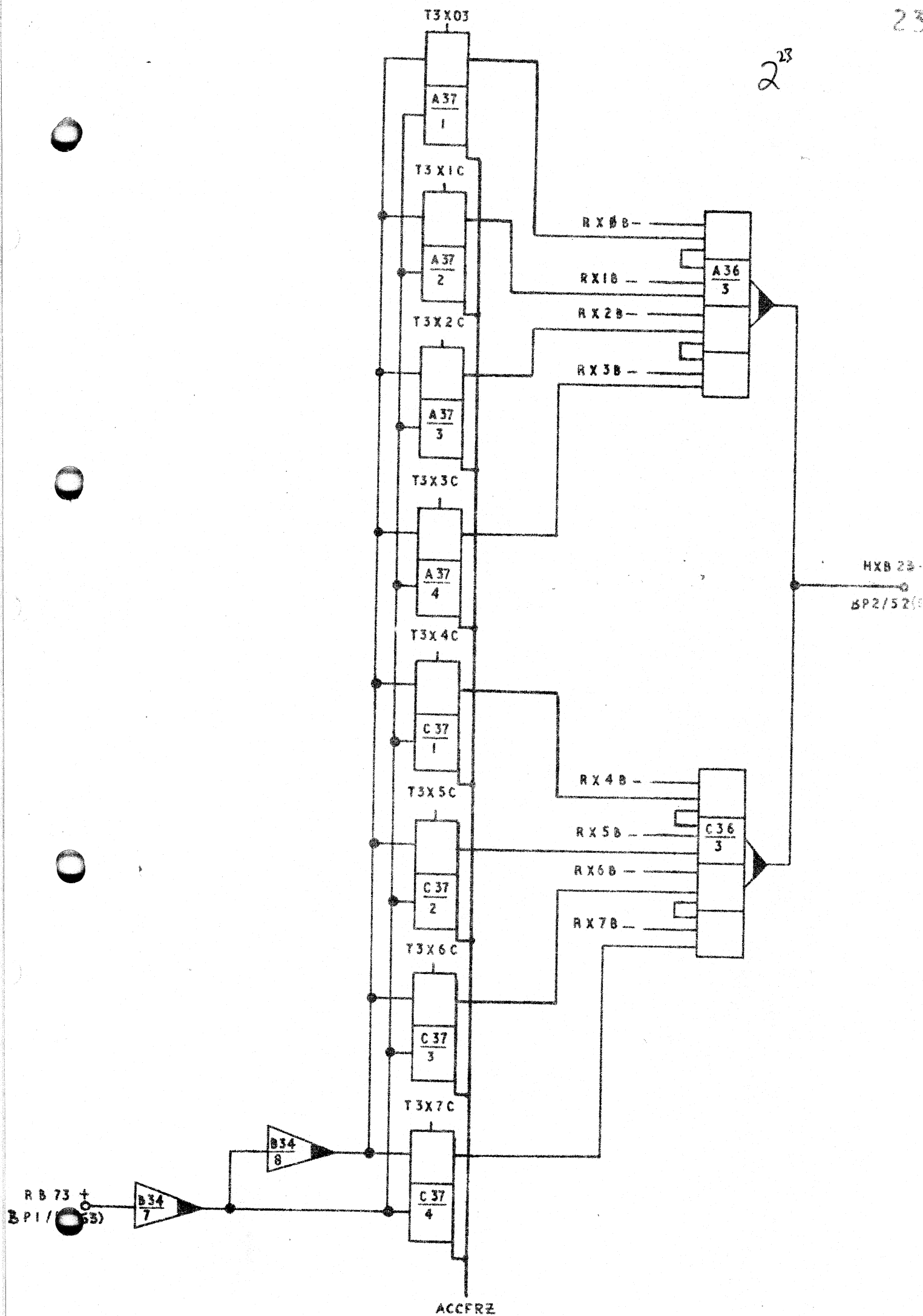








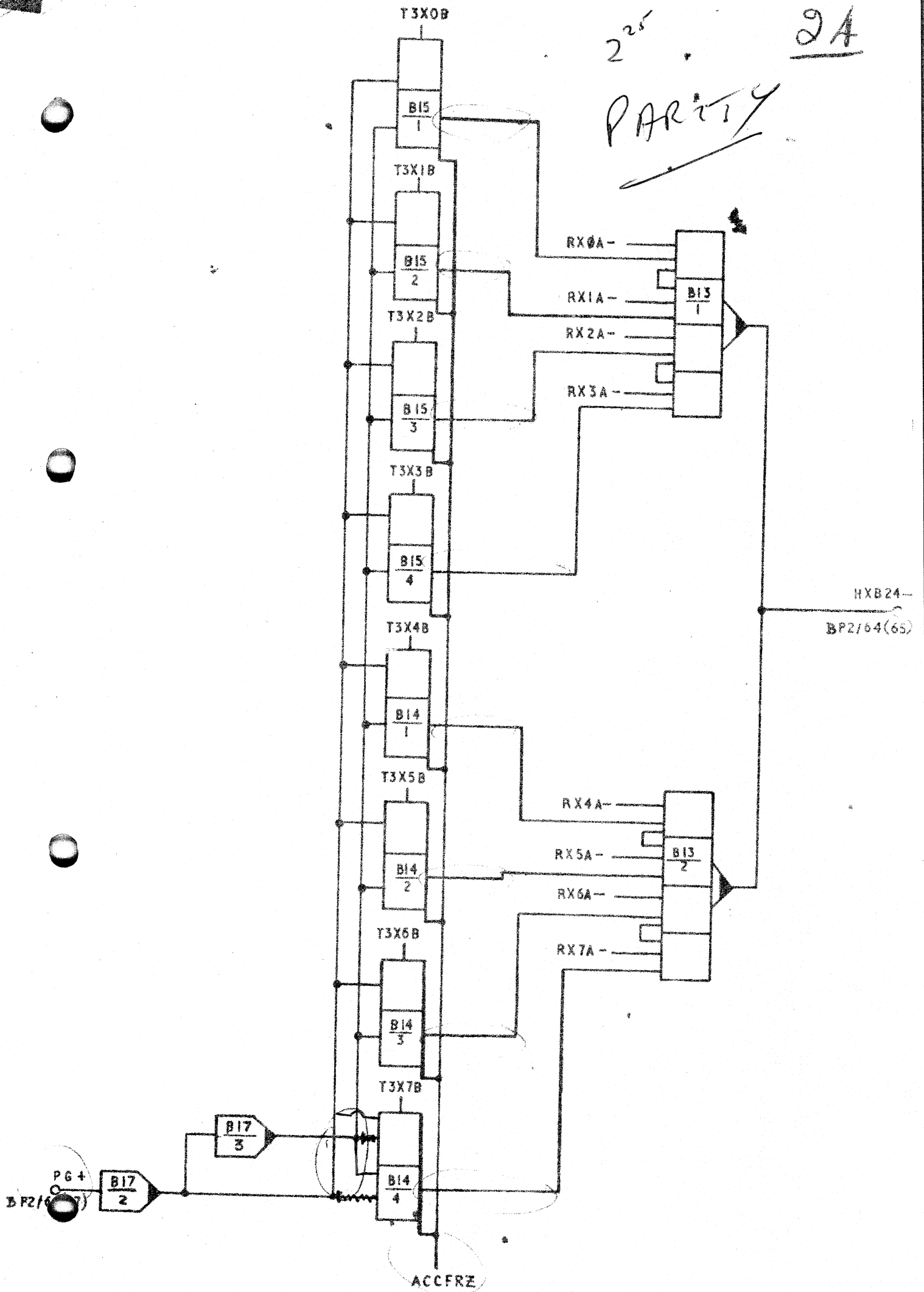
2<sup>23</sup>

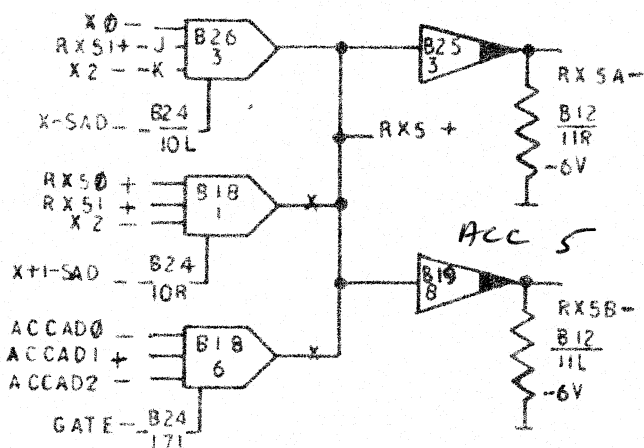
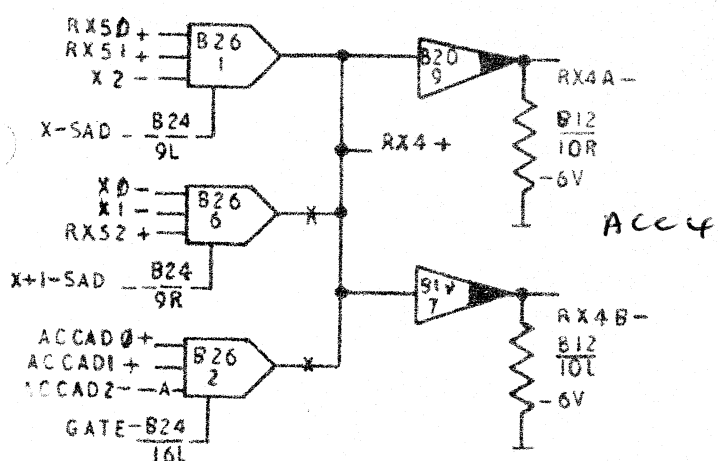
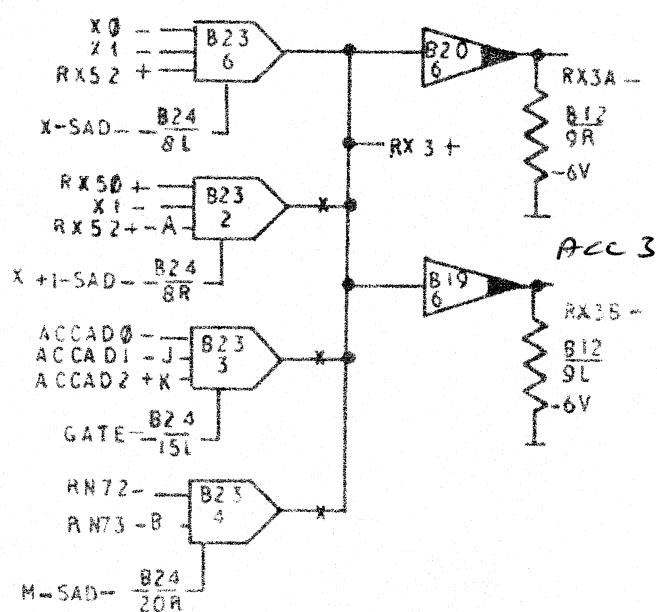
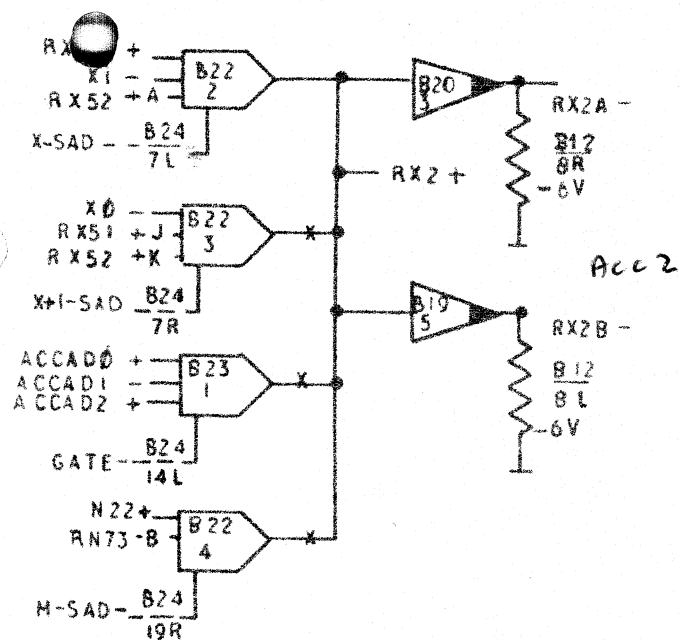
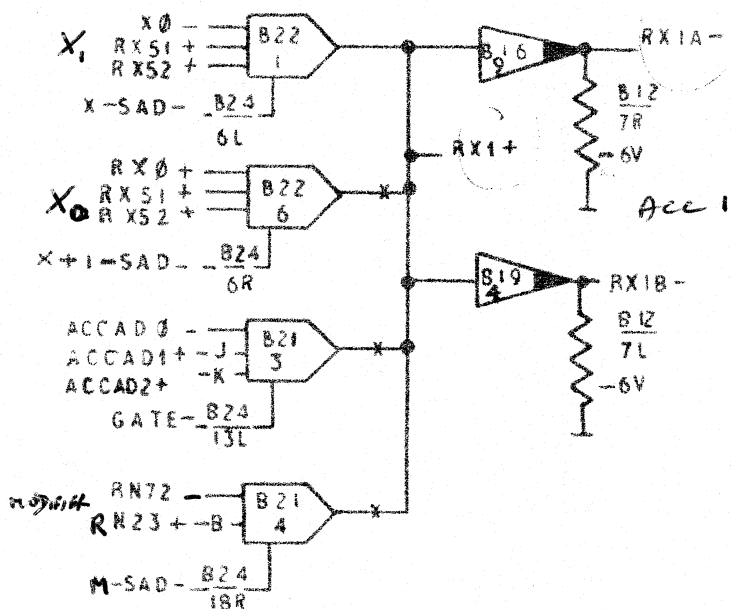
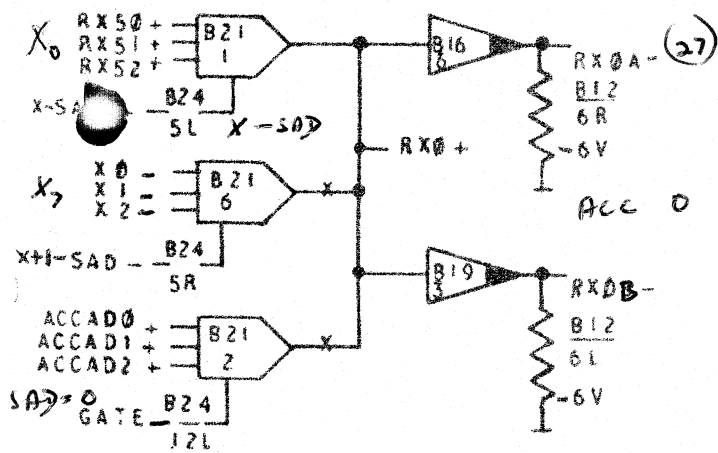


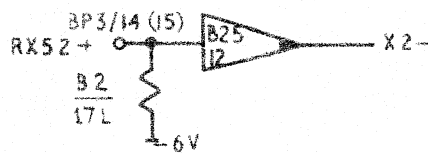
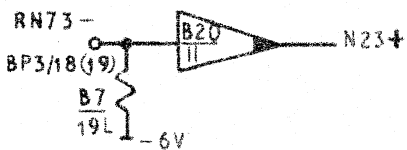
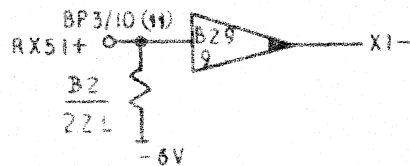
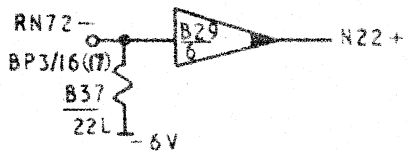
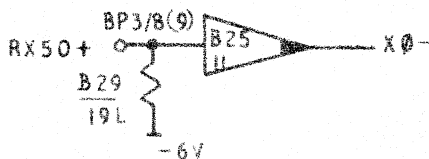
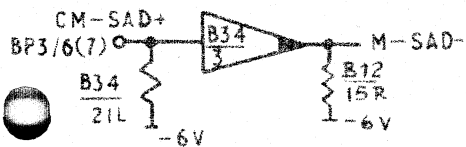
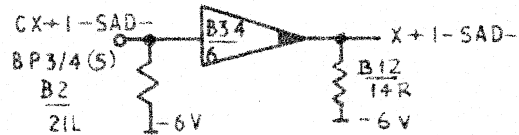
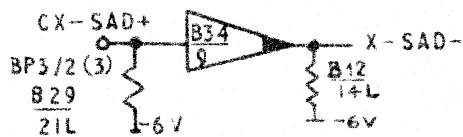
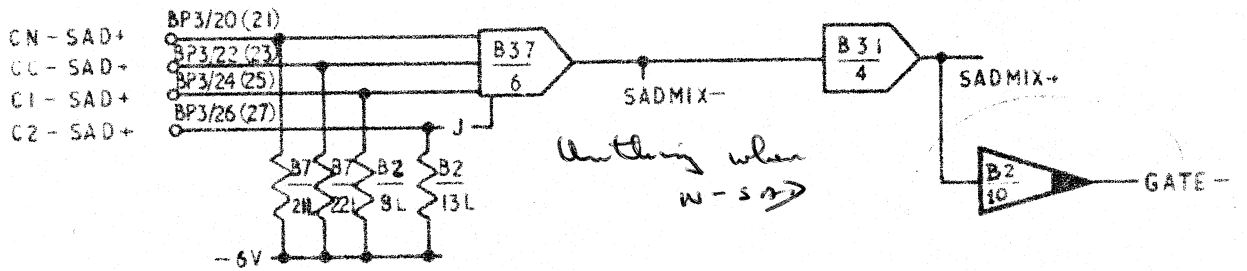
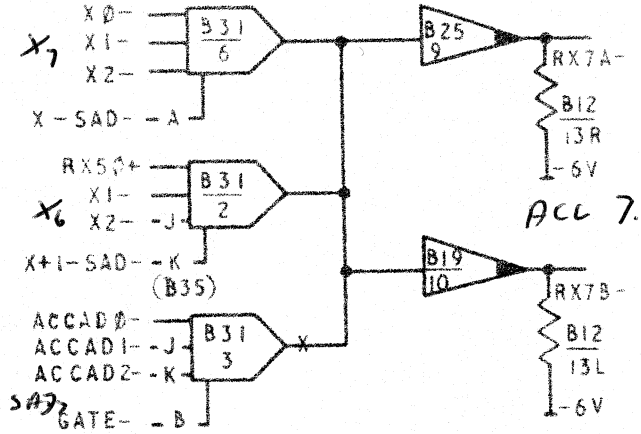
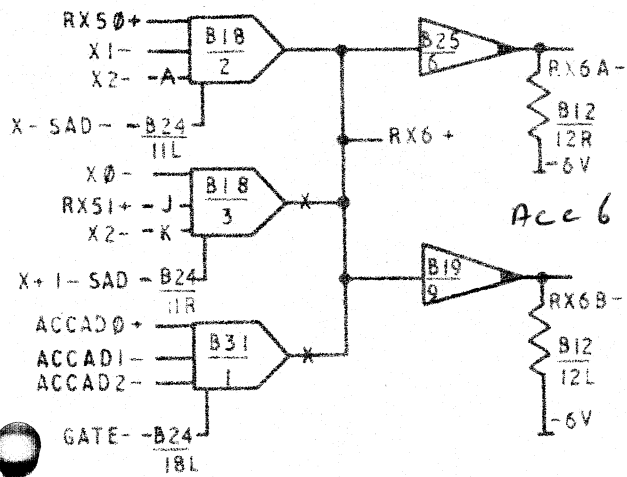
225

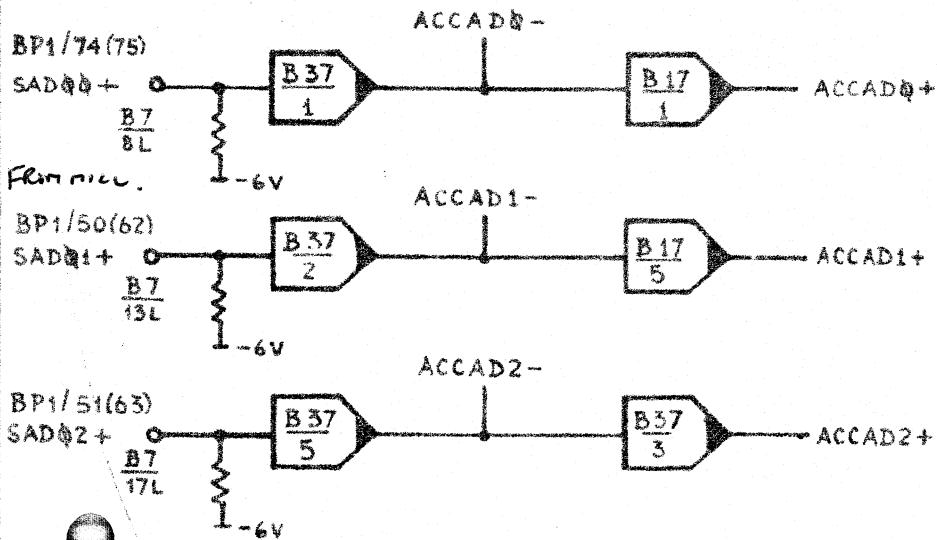
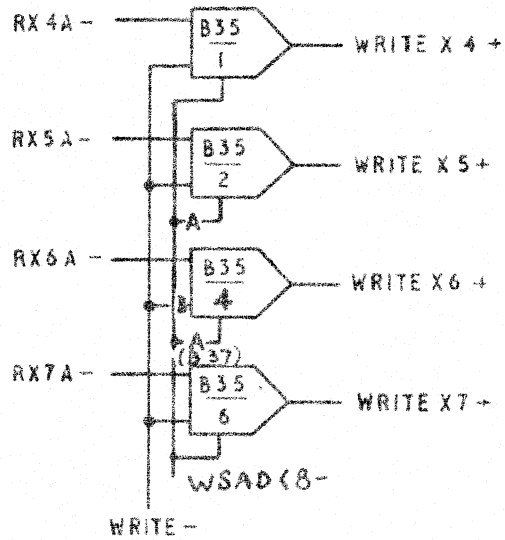
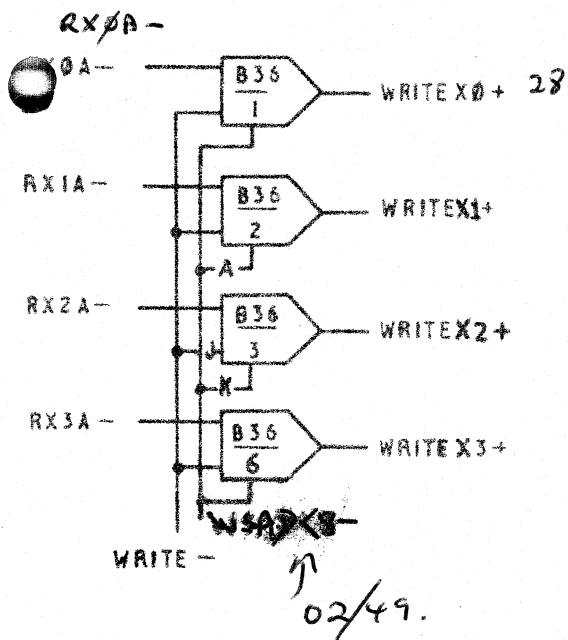
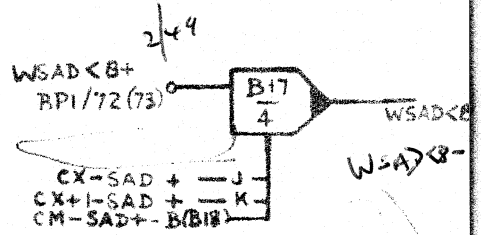
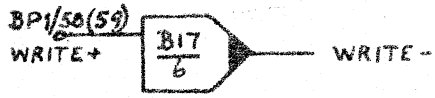
2A

PART 1

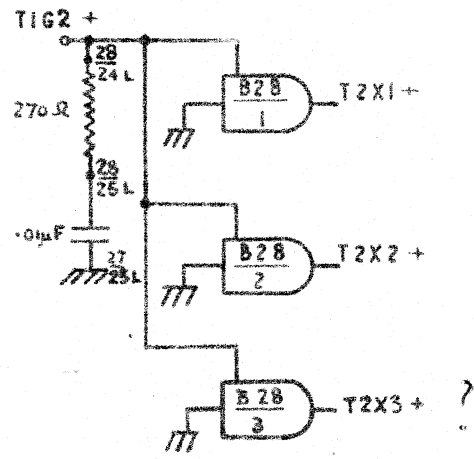
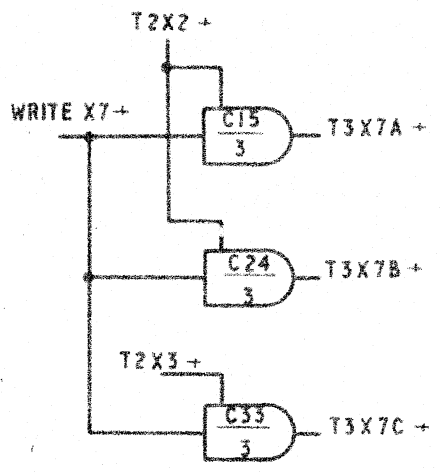
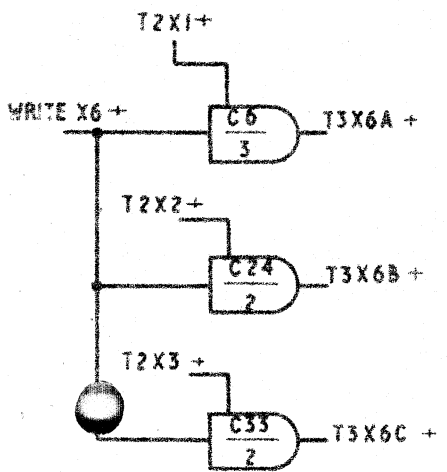
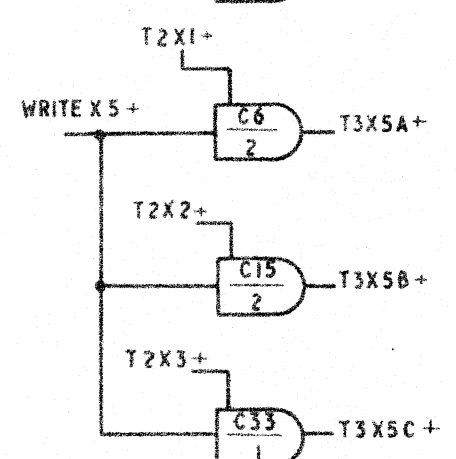
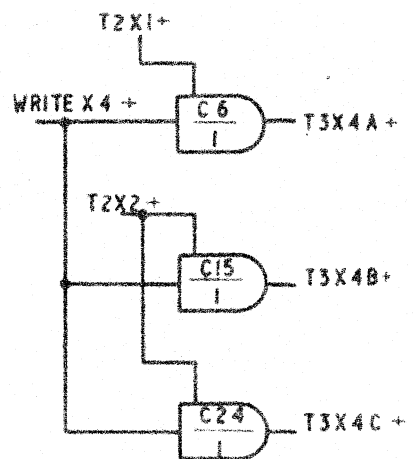
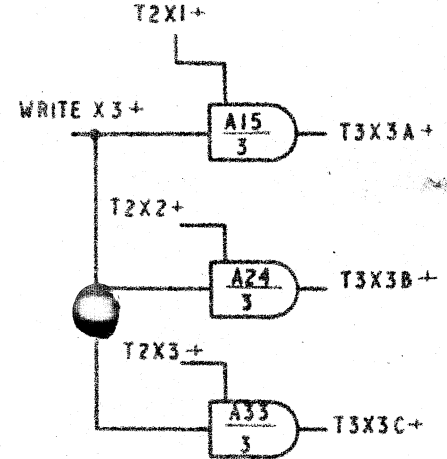
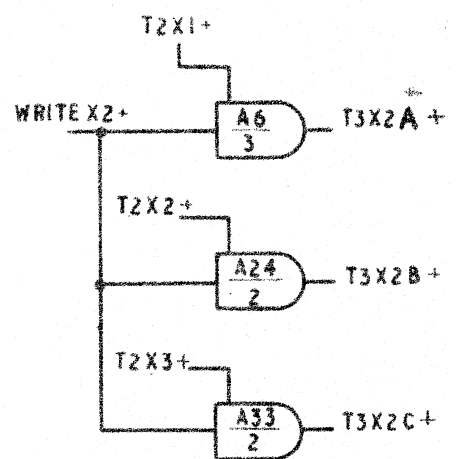
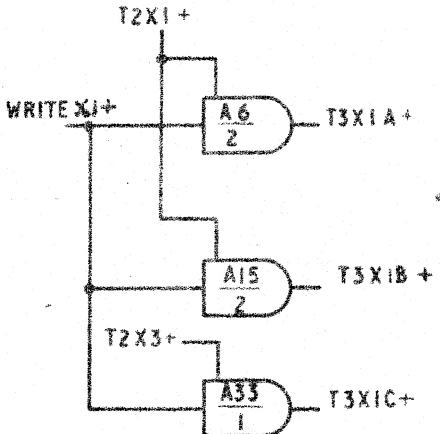
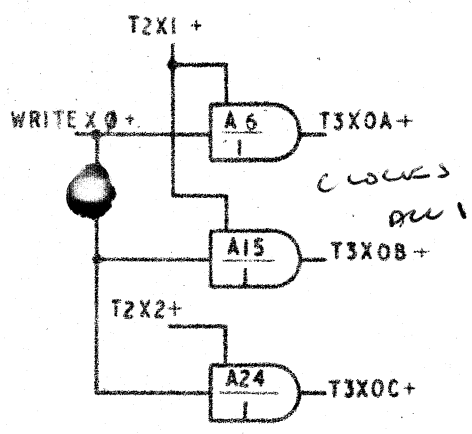


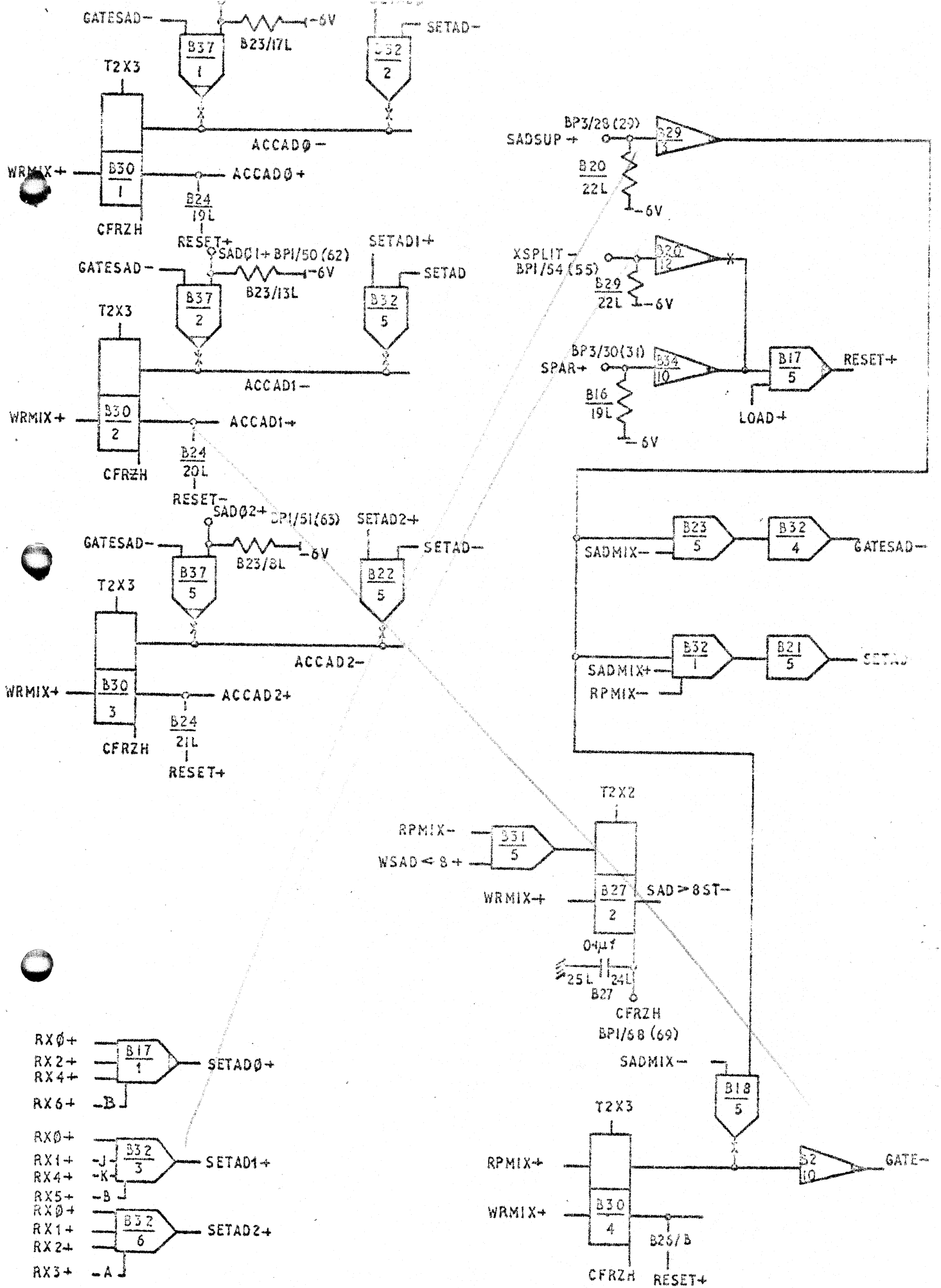






Derive of  
SAD.





ARDWARE ACCUMULATORS

WGC03/SHEET29

US	166	1	2	3	4	5							
CW	0752	0813	0868	0872	0880	0915							
ATE	15 -67	10 -67	10 -67	10 -67	10 -67	10 -67							